

R22,23,24,25,26,29,30,31,32,40,42,47,,54,56,57,,55,46,68,69,70=0R(1206)

6

5

4

3

2

1

REVISION RECORD			
LTR	ECO NO:	APPROVED:	DATE:

D

C

B

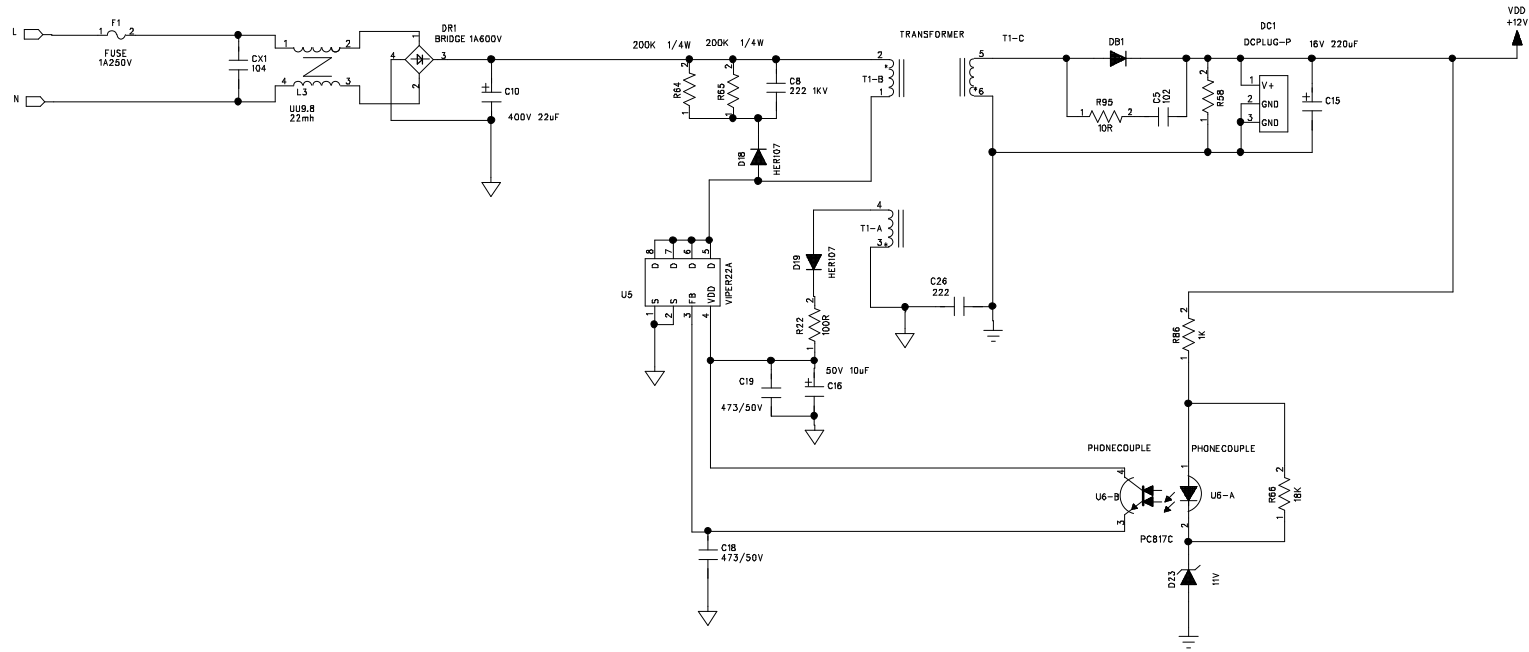
A

D

C

B

A



DRAWN:				DATED:			
CHECKED:				DATED:			
QUALITY CONTROL:				DATED:			
RELEASED:				DATED:			
COMPANY:		TITLE:					
CODE:	SIZE:	DRAWING NO:			REV:		
SCALE:						SHEET: OF	