

Interfacing the DAC7554 to the MSP430F449

Jojo Parguan

Data Acquisition Products

ABSTRACT

This application report describes how to interface the DAC7554 digital-to-analog converter to the MSP430F449 mixed signal microcontroller.

Contents

1	Introduction	1
2	Hardware Setup Configuration	2
3	Principle of Operation	3
4	Generating the Sine-Wave Output	4
5	Summary	6
6	References	6
Appendix A	MSP430F449 Software Code	7

List of Figures

1	HPA449 Hardware Configuration	2
2	DAC7554 EVM Hardware Configuration	2
3	MSP430 and DAC7554 Circuit Diagram	3
4	DAC7554 Serial Interface Timing	4
5	Actual Timing of the DAC7554 SPI	5
6	DAC Output Waveform Diagram	5
7	DAC A Output With a Gain of 2 (1 of 4 DACs)	6

List of Tables

1	DAC7554 Load and Update Combinations	4
---	--	---

1 Introduction

The DAC7554 is a quad-channel, low-power, 12-bit resolution, voltage output digital-to-analog converter (DAC), which features low glitch, 12-bit monotonic with double-buffered serial interface. The double-buffered register architecture is implemented to allow simultaneous updating of all DACs while writing new data to each input register. The communication port, which is interfaced with the MSP430F449 using SPI protocol, accepts 16 bits of serial input data.

Whereas the DAC7554 can be powered from a single supply source of +2.7 V minimum to +5.5 V maximum, this application report only focuses on a +5-V power supply applied to V_{DD} . Although the digital logic of the DAC7554 is specified with CMOS logic compatibility, it is still possible to reliably drive its logic input lines at +3 V minimum (no less) with the tradeoff of higher power consumption. Because the MSP430F449 microprocessor provides +3.3-V logic, the DAC7554 consumes more power (approximately 1 mA per logic input pin driven) for this specific application example.

The voltage source for the reference supply of the DAC7554 comes from the REF3140, which provides 4.096 V with an accuracy of 0.2% maximum and a drift of 15 ppm/°C.

2 Hardware Setup Configuration

This application report is written based on an experiment using the HPA449 platform for the MSP430F449 and the DAC7554 EVM revision A. Once the HPA449 and the DAC7554 EVM are configured properly, they can be connected together easily. Figure 1, Figure 2, and Figure 3 show the hardware configuration setup for both the HPA449 and the DAC7554 EVM boards.

The HPA449 comes configured with the correct jumper settings from factory (see Figure 1). The hardware setup configuration for the DAC7554 EVM (see Figure 2) depicts the simple diagram of the interface connection between the DAC7554 and the MSP430F449, as shown in Figure 3.

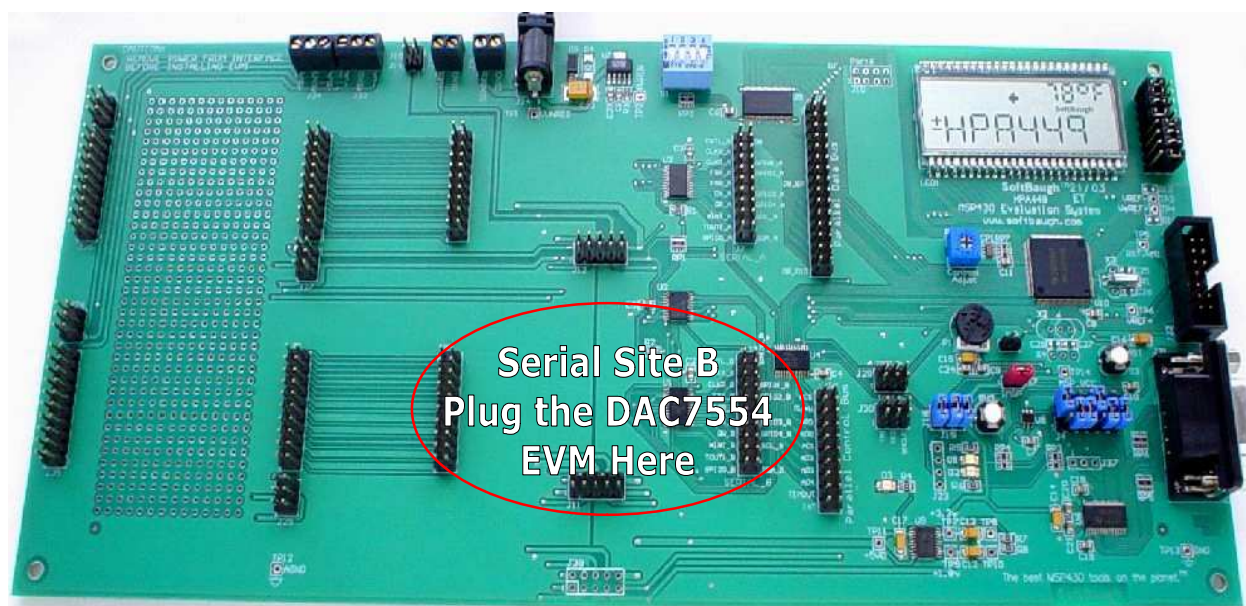


Figure 1. HPA449 Hardware Configuration

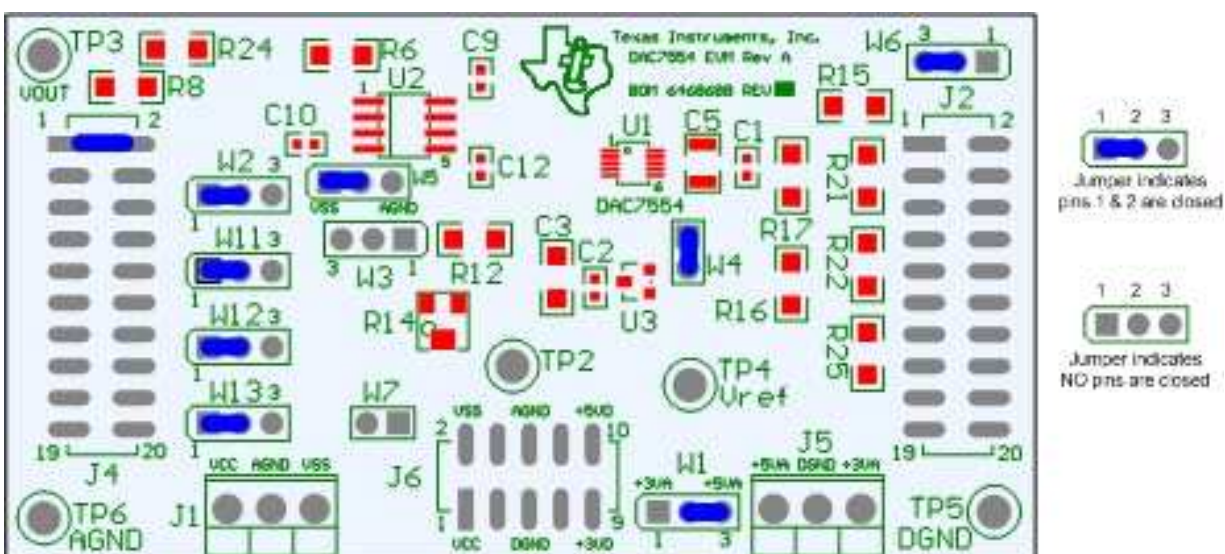


Figure 2. DAC7554 EVM Hardware Configuration

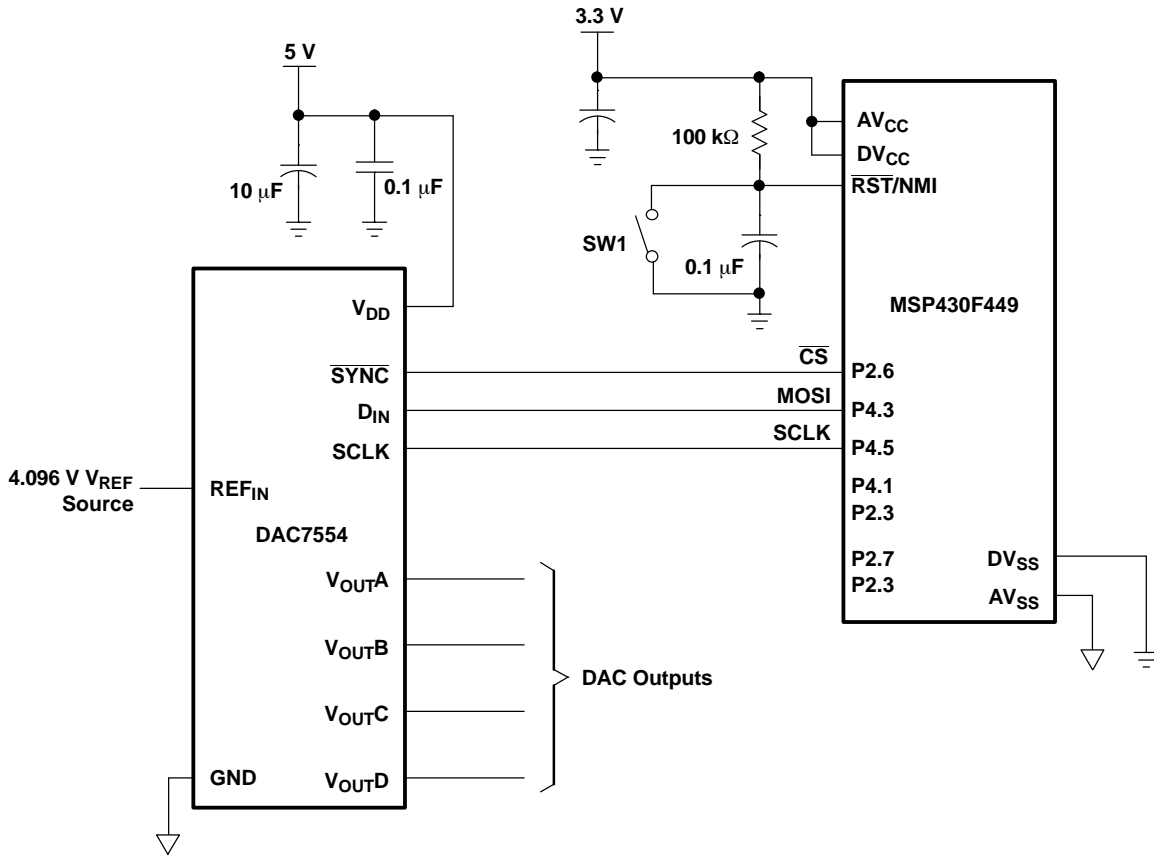


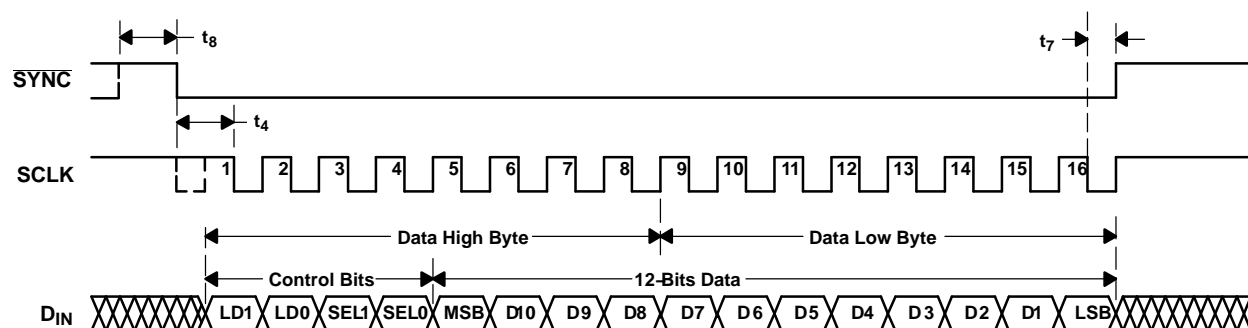
Figure 3. MSP430 and DAC7554 Circuit Diagram

3 Principle of Operation

The MSP430F449 microcontroller interfaces with the DAC7554 using the SPI serial data communication protocol via the MSP430 microcontroller's USART1 port. Only two pins are used out of the four-pin SPI mode of configuration. It is implemented this way because it is unnecessary to read any data from the DAC7554 or have the MSP430 microcontroller be slaved by another host peripheral for SPI purposes. Therefore, the STE and the MISO functions in SPI mode of the USART1 port are unused.

The $\overline{\text{SYNC}}$ function is a level-triggered signal that indicates the start of a serial data frame transfer through the SPI bus. This $\overline{\text{SYNC}}$ function is accomplished using a GPIO pin, P2.6, of the MSP430 microcontroller to enable the serial communication and data frame synchronization.

The DAC7554 receives a 16-bit digital input word serially. Because the SPI only provides eight data clocks per transmission, two write cycles are required within the $\overline{\text{SYNC}}$ low period to complete one write cycle to the DAC7554; this is shown in Figure 4. The first two bits (LD1 and LD0), starting from the MSB, contain the load bits that select the type of load to be performed. The load bits work with the SEL1 and SEL0 bits to select one of 16 different DAC load and update combinations. See Table 1 for the DAC7554 load and update combinations. The last 12 bits [MSB:LSB] compose the DAC7554 digital word with the most significant bit first.


Figure 4. DAC7554 Serial Interface Timing
Table 1. DAC7554 Load and Update Combinations

CONTROL				DATA BITS	DAC(s)	FUNCTION
LD1	LD0	SEL1	SEL0	DB11–DB0		
0	0	0	0	data	A	Input register updated
0	0	0	1	data	B	Input register updated
0	0	1	0	data	C	Input register updated
0	0	1	1	data	D	Input register updated
0	1	0	0	data	A	DAC register updated, output updated
0	1	0	1	data	B	DAC register updated, output updated
0	1	1	0	data	C	DAC register updated, output updated
0	1	1	1	data	D	DAC register updated, output updated
1	0	0	0	data	A	Input register and DAC register updated, output updated
1	0	0	1	data	B	Input register and DAC register updated, output updated
1	0	1	0	data	C	Input register and DAC register updated, output updated
1	0	1	1	data	D	Input register and DAC register updated, output updated
1	1	0	0	data	A–D	Input register updated
1	1	0	1	data	A–D	DAC register updated, output updated
1	1	1	0	data	A–D	Input register and DAC register updated, output updated
1	1	1	1	data	—	Power-Down Mode – See Table 2 of the data sheet

The falling edge of SCLK clocks the data in, starting from the MSB until all 16 bits are transferred into the shift register. Any data and clock pulses after the 16th falling edge of SCLK are ignored and the transition of $\overline{\text{SYNC}}$ from low to high ends the data transfer. If the $\overline{\text{SYNC}}$ signal is taken high before the 16th falling edge of SCLK, the data transfer is aborted and the DAC input registers are not updated. As described previously, the control bits (LD1, LD0, SEL1, and SEL0) are decoded by the DAC7554 and determine the type of load and update using the contents of the shift register.

The DAC7554 features a double-buffered architecture to allow new data to be written to each of the DAC registers without disturbing the analog outputs. The first sets of registers are the DAC input registers. The second sets of registers are the DAC output registers.

4 Generating the Sine-Wave Output

The actual timing diagram of the serial peripheral interface (SPI) is shown in [Figure 5](#). Channel 2 shows the SCLK running at approximately 4 MHz while channel 3 shows the SDI transmitting the 16 bits of the control and data word. The control bits (LD1, LD0, SEL1, and SEL0) are set to 0xE so that the data in the shift register is loaded in the input registers and DAC registers of all four DACs, as well as updating all the DAC outputs (V_{OUTA} , V_{OUTB} , V_{OUTC} , and V_{OUTD}). Channel 1 is the $\overline{\text{SYNC}}$ signal that enables the serial communication interface of the DAC7554 and signals the start of data frame transmission.

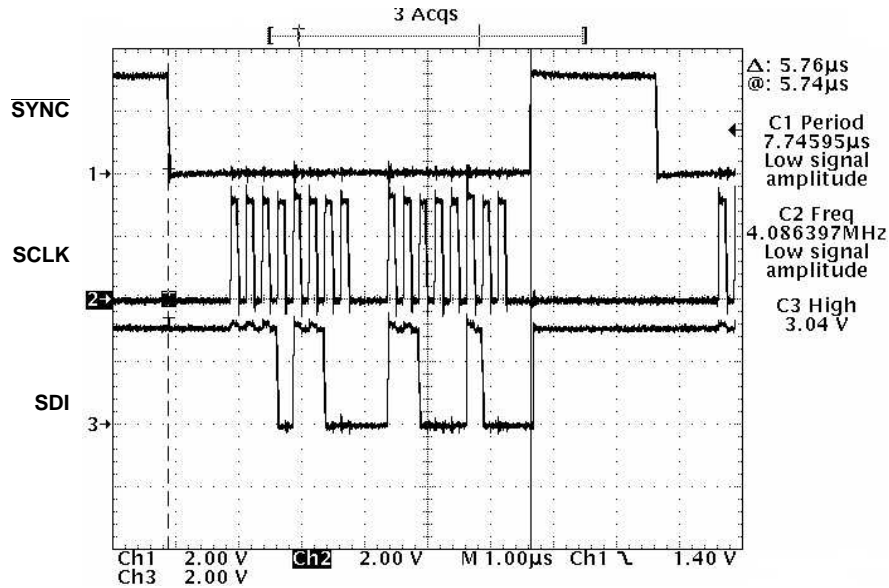


Figure 5. Actual Timing of the DAC7554 SPI

If the serial interface timing for the DAC7554 is met as shown in Figure 4 and Figure 5, the following sinusoidal waveform in Figure 6 should be observed. The DAC channel A output displays the sine wave with an amplitude of 8 V while the rest of the DAC output channels are 4 V. The signal amplitude of output A is 8 V because the DAC A channel output of the DAC7554 is connected to an external output amplifier with a gain of 2 as shown in Figure 7. Only one DAC output channel at a time can be connected to the external amplifier and evaluated using the DAC7554 EVM board.

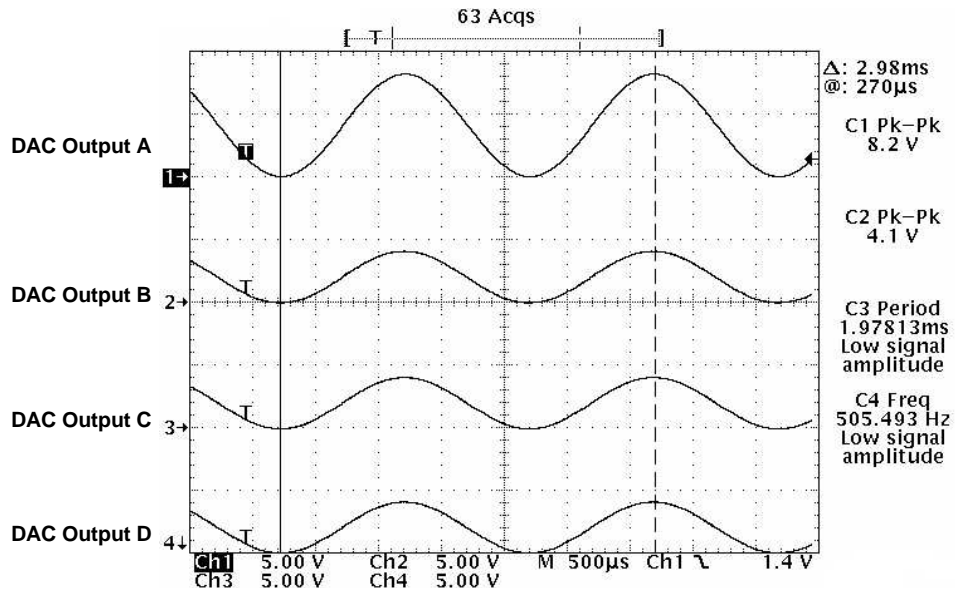


Figure 6. DAC Output Waveform Diagram

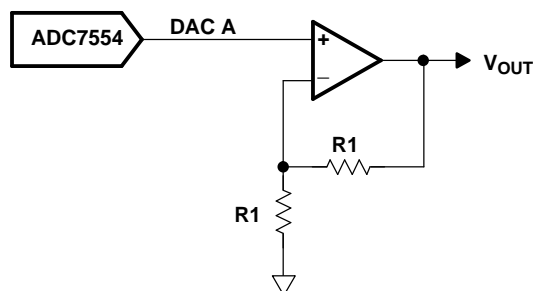


Figure 7. DAC A Output With a Gain of 2 (1 of 4 DACs)

5 Summary

This application report shows how easy it is to interface the DAC7554 to the MSP430F449 microcontroller using the SPI mode of serial communication. Using the software program provided in this application report, a simple routine to generate a sinusoidal waveform is achieved. Using the DAC7554 EVM along with the HPA449 evaluation system makes it even easier. For more detailed information regarding the DAC7554, see the data sheet [SLAS399](#). For further support, contact the TI Data Acquisition Product group by sending an e-mail to dataconvapps@list.ti.com.

For questions or information regarding the HPA449 evaluation system, contact SoftBaugh, Inc. at e-mail address info@softbaugh.com or call directly at toll free number (800) 794-5756 or commercial number (770) 772-8111.

6 References

1. *DAC7554, 12-Bit, Quad, Ultralow Glitch, Voltage Output, Digital-to-Analog Converter* data sheet ([SLAS399](#))
2. *DAC7554 EVM User's Guide* ([SLAU154](#))
3. *MSP430x43x, MSP430x44x, Mixed Signal Microcontroller* data sheet ([SLAS344](#))
4. *MSP430x4xx Family User's Guide* ([SLAU056](#))
5. *MSP430F44X Evaluation System (HPA449) User's Guide* (SoftBaugh, Inc)

Appendix A MSP430F449 Software Code

A.1 Main Code

```

;*****
; MSP430F449 Demo - SPI Communication with DAC7554 and MSP430F449
;
; Assembled with IAR Embedded Workshop for MSP430 Kickstart
;
; Author:      Jojo Parguian
;             HPA/DAP
; Company:    Texas Instruments, Inc.
;
; Used:
;             HPA449 V1.1
;             DAC7554 EVM Rev 1 & Rev A
;*****

#include "msp430x44x.h"      // Standard Equations
#include "legal.asm"
#include "readme.asm"
#define CSb          0x40/* P2.6 */
#define SPI          0x38
#define DATASPI     R9

;-----
; 12-bit Sine Lookup table with 256 steps
;-----
                ORG    01000h
;-----

Sin_tab    DW    2048,2098,2148,2199,2249,2299,2349,2398,2448,2497,2546,2594,2643,2690,2738,2785
            DW    2832,2878,2924,2969,3013,3057,3101,3144,3186,3227,3268,3308,3347,3386,3423,3460
            DW    3496,3531,3565,3599,3631,3663,3693,3722,3751,3778,3805,3830,3854,3877,3899,3920
            DW    3940,3959,3976,3993,4008,4022,4035,4046,4057,4066,4074,4081,4086,4090,4093,4094
            DW    4095,4094,4093,4090,4086,4081,4074,4066,4057,4046,4035,4022,4008,3993,3976,3959
            DW    3940,3920,3899,3877,3854,3830,3805,3778,3751,3722,3693,3663,3631,3599,3565,3531
            DW    3496,3460,3423,3386,3347,3308,3268,3227,3186,3144,3101,3057,3013,2969,2924,2878
            DW    2832,2785,2738,2690,2643,2594,2546,2497,2448,2398,2349,2299,2249,2199,2148,2098
            DW    2048,1998,1948,1897,1847,1797,1747,1698,1648,1599,1550,1502,1453,1406,1358,1311
            DW    1264,1218,1172,1127,1083,1039,995,952,910,869,828,788,749,710,673,636,600,565,531
            DW    497,465,433,403,374,345,318,291,266,242,219,197,176,156,137,120,103,88,74,61,50
            DW    39,30,22,15,10,6,2,1,0,1,2,6,10,15,22,30,39,50,61,74,88,103,120,137,156,176,197
            DW    219,242,266,291,318,345,374,403,433,465,497,531,565,600,636,673,710,749,788,828
            DW    869,910,952,995,1039,1083,1127,1172,1218,1264,1311,1358,1406,1453,1502,1550,1599
            DW    1648,1698,1747,1797,1847,1897,1948,1998,2048

;-----
                ORG    0F000h
;-----
;*****
;Program Code
;*****
                RSEG CODE
;*****

RESET
    mov.w    #0A00h,SP        ; Initialize stack-pointer
    call    #Init_Sys        ; Initialize system
    clr.w    R6

Write_Data
    mov.w    #0FFh,R6        ; Initialize table counter
    mov.w    #0,R5           ; Initialize table pointer
    mov.w    #0E000h,R10     ; For padding the MSB - Broadcast
    bic.b    #0FFh,&P1OUT

Again
    mov.w    Sin_tab(R5),DATASPI
  
```

Main Code

```

        bis.w   R10,DATASPI           ; Set the 4 MSB to b1110
        swpb   DATASPI               ; MSB first
        bic.b  #CSb, &P2OUT          ; Enable serial port and start write
        mov.b  DATASPI,&U1TXBUF

WaitXMT1
        bit.b  #UTXIFG1, &IFG2      ; TXBUF ready?
        jnc   WaitXMT1
        swpb   DATASPI               ; LSB next
        mov.b  DATASPI,&U1TXBUF

WaitXMT2
        bit.b  #UTXIFG1, &IFG2      ; TXBUF ready?
        jnc   WaitXMT2
        mov.w  #01h, R14

Delay0
        dec.w  R14                   ;
        jnz   Delay0
        bis.b  #CSb, &P2OUT          ; End SPI transfer
        incd.w R5                     ; Increment table pointer
        sub.w  #1,R6                  ; Decrement table counter
        and.w  #0FFh,R6              ; Check if bottom of table counter
        jnz   Again                  ; Get another sample
        jmp   Write_Data              ; Repeat cycle

;*****
Init_Sys; Modules and Controls Registers set-up subroutine
;*****

StopWDT
        mov.w  #WDTPW+WDTHOLD,&WDTCTL ;Stop Watchdog Timer

SetupFLL2
        bis.b  #FN_4,&SCFIO           ; x2 DCO, 8MHz nominal DCO
        bis.b  #DCOPLUS+XCAP14PF,&FLL_CTL0 ; DCO+, configure load caps
        mov.b  #121,&SCFQCTL          ;(121+1) x 2 x 32768 = 7.99 Mhz

SetupPorts
; Port 2
        bis.b  #CSb, &P2DIR
        bis.b  #CSb, &P2OUT
; Port 4
        bis.b  #SPI,&P4SEL             ;P4.3,4,5 SPI option select

SetupSPI0
        bis.b  #USPIE0,&ME1           ; Enable SPI TX/RX
        mov.b  #CHAR+SYNC+MM,&U0CTL   ; 8-bit SPI Master
        bis.b  #SSEL0+SSEL1+STC,&U0TCTL ; 3-pin SPI0 mode, SMCLK
        mov.b  #02h,&U0BR0
        mov.b  #00h,&U0BR1
        mov.b  #00h,&U0MCTL
        bis.b  #UTXIE0, &P1IE

SetupSPI1
        bis.b  #USPIE1,&ME2           ; Enable SPI TX/RX
        mov.b  #CHAR+SYNC+MM+SWRST,&U1CTL ; 8-bit SPI Master
        bis.b  #SSEL0+SSEL1+STC,&U1TCTL ; 3-pin SPI1 mode, SMCLK
        mov.b  #002h,&U1BR0
        mov.b  #000h,&U1BR1
        mov.b  #000h,&U1MCTL
        bis.b  #USPIE1,&ME2
        bic.b  #SWRST, &U1CTL
        ret

;*****
        COMMON INTVEC                 ; MSP430x11x1/MSP430F14x Interrupt vectors
;*****

ORG     RESET_VECTOR
RESET_VEC
        DW     RESET                   ; POR, ext. Reset, Watchdog
        END

```


IMPORTANT NOTICE

Texas Instruments Incorporated and its subsidiaries (TI) reserve the right to make corrections, modifications, enhancements, improvements, and other changes to its products and services at any time and to discontinue any product or service without notice. Customers should obtain the latest relevant information before placing orders and should verify that such information is current and complete. All products are sold subject to TI's terms and conditions of sale supplied at the time of order acknowledgment.

TI warrants performance of its hardware products to the specifications applicable at the time of sale in accordance with TI's standard warranty. Testing and other quality control techniques are used to the extent TI deems necessary to support this warranty. Except where mandated by government requirements, testing of all parameters of each product is not necessarily performed.

TI assumes no liability for applications assistance or customer product design. Customers are responsible for their products and applications using TI components. To minimize the risks associated with customer products and applications, customers should provide adequate design and operating safeguards.

TI does not warrant or represent that any license, either express or implied, is granted under any TI patent right, copyright, mask work right, or other TI intellectual property right relating to any combination, machine, or process in which TI products or services are used. Information published by TI regarding third-party products or services does not constitute a license from TI to use such products or services or a warranty or endorsement thereof. Use of such information may require a license from a third party under the patents or other intellectual property of the third party, or a license from TI under the patents or other intellectual property of TI.

Reproduction of information in TI data books or data sheets is permissible only if reproduction is without alteration and is accompanied by all associated warranties, conditions, limitations, and notices. Reproduction of this information with alteration is an unfair and deceptive business practice. TI is not responsible or liable for such altered documentation.

Resale of TI products or services with statements different from or beyond the parameters stated by TI for that product or service voids all express and any implied warranties for the associated TI product or service and is an unfair and deceptive business practice. TI is not responsible or liable for any such statements.

Following are URLs where you can obtain information on other Texas Instruments products and application solutions:

Products		Applications	
Amplifiers	amplifier.ti.com	Audio	www.ti.com/audio
Data Converters	dataconverter.ti.com	Automotive	www.ti.com/automotive
DSP	dsp.ti.com	Broadband	www.ti.com/broadband
Interface	interface.ti.com	Digital Control	www.ti.com/digitalcontrol
Logic	logic.ti.com	Military	www.ti.com/military
Power Mgmt	power.ti.com	Optical Networking	www.ti.com/opticalnetwork
Microcontrollers	microcontroller.ti.com	Security	www.ti.com/security
		Telephony	www.ti.com/telephony
		Video & Imaging	www.ti.com/video
		Wireless	www.ti.com/wireless

Mailing Address: Texas Instruments
Post Office Box 655303 Dallas, Texas 75265