

Off-Board Diagnostic Connector

Foreword

This series of SAE Recommended Practices have been developed by the Truck and Bus Control and Communications Network Subcommittee of the Truck and Bus Electrical Committee. The objectives of the subcommittee are to develop information reports, recommended practices, and standards concerned with the requirements design and usage of devices which transmit electronic signals and control information among vehicle components. The usage of these documents is not limited to truck and bus applications. Other applications may be accommodated with immediate support being provided for construction and agricultural equipment and stationary power systems.

These SAE Recommended Practices are intended as a guide toward standard practice and are subject to change to keep pace with experience and technical advances.

TABLE OF CONTENTS

1.	Scope	2
2.	References	2
2.1	Applicable Publications	2
3.	Off-Board Diagnostic Connector	2
3.1	General Requirements	3
3.1.1	Mounting.....	3
3.1.2	Serviceability	3
3.2	Connector Performance Requirements	3
3.2.1	Connect/ Disconnect.....	3
3.2.2	Environmental Requirements.....	3
3.3	Physical Requirements	4
3.3.1	Pin Designation	4
3.3.2	Connector Mechanical Requirements.....	4

SAE Technical Standards Board Rules provide that: "This report is published by SAE to advance the state of technical and engineering sciences. The use of this report is entirely voluntary, and its applicability and suitability for any particular use, including any patent infringement arising therefrom, is the sole responsibility of the user."

SAE reviews each technical report at least every five years at which time it may be reaffirmed, revised, or cancelled. SAE invites your written comments and suggestions.

Copyright © 2004 SAE International

All rights reserved. No part of this publication may be reproduced, stored in a retrieval system or transmitted, in any form or by any means, electronic, mechanical, photocopying, recording, or otherwise, without the prior written permission of SAE.

TO PLACE A DOCUMENT ORDER: Tel: 877-606-7323 (inside USA and Canada)
Tel: 724-776-4970 (outside USA)
Fax: 724-776-0790
Email: custsvc@sae.org
<http://www.sae.org>

SAE WEB ADDRESS:

1. **Scope**

These SAE Recommended Practices are intended for light- and heavy-duty vehicles on- or off-road as well as appropriate stationary applications which use vehicle derived components (e.g., generator sets). Vehicle of interest include but are not limited to; on- and off-highway trucks and their trailers; construction equipment; and agricultural equipment and implements.

The purpose of these documents is to provide an open interconnect system for electronic systems. It is the intention of these documents to allow electronic devices to communicate with each other by providing a standard architecture.

2. **References**

General information regarding this series of documents is found in SAE J1939.

2.1 **Applicable Publications**

The following publications form a part of the specification to the extent specified herein. Unless otherwise indicated, the latest revision of SAE publications shall apply.

2.1.1 SAE PUBLICATIONS

Available from SAE, 400 Commonwealth Drive, Warrendale, PA 15096-0001.

SAE J1708—Serial Data Communications Between Microcomputer Systems in Heavy-Duty Vehicle Applications

SAE J1939-11—Physical Layer—250K bits/s, Shielded Twisted Pair

SAE J1939-15—Reduced Physical Layer, 250K bits/s, Un-Shielded Twisted Pair (UTP)

SAE J2030—Heavy-Duty Electrical Connector Performance Standard

SAE J2202—Heavy Duty Wiring Systems for On-Highway Trucks

2.1.2 ISO PUBLICATION

Available from ANSI, 11 West 42nd Street, New York, NY 10036-8002.

ISO 11783-2—Tractors and Machinery for Agriculture and Forestry – Serial Control and Communications Data Network – Physical Layer

ISO 11898—Road vehicles—Interchange of digital information—Controller Area Network (CAN) for high speed communication

3. **Off-Board Diagnostic Connector**

This section describes the Off-Board Diagnostic connector used on the vehicle to get access to the vehicle communication links.

The diagnostic connector defined supports both the twisted shielded pair media (SAE J1939-11), the Reduced Physical Layer unshielded twisted pair (SAE J1939-15) as well as the twisted unshielded quad media (ISO 11783-2). The designations of the individual signal wires are CAN_H and CAN_L. For SAE J1939-11, a third connection for the termination of the shield is denoted by CAN_SHLD. For SAE J1939-15 and ISO 11783-2, this same third connection is not connected.

SAE J1939-13 Revision MAR2004

In addition to the designations of the CAN media wires, the designations of the SAE J1708 physical media wires, power and ground are: SAE J1708 (+), SAE J1708 (—), Battery (+) and Battery (—). There are two pins designated for proprietary vehicle OEM use.

3.1 General Requirements

3.1.1 MOUNTING

The connector shall be mounted inside the cab in a location that is easily accessible according to the guidelines as follows.

- a. For on road heavy trucks, the connector should be mounted on the driver side and if possible, accessible from the ground next to the cab.
- b. For busses, the connector should be located within reach of the operator's seat. For rear engine busses, an additional connector may be mounted in the engine compartment that will allow access from the ground next to the bus.
- c. For construction and agricultural equipment, it is recommended that the connector for the tractor bus be located behind the operator's seat or under the dash at the operator's knees. This connector must be labeled as the diagnostic connector. A diagnostic connector may be located elsewhere, in addition to a connector at the recommended location.
- d. The cable stub length for the diagnostic connector is specified in the governing document (eg. J1939-11, J1939-15, and ISO 11783-2).

3.1.2 SERVICEABILITY

The connector shall be serviceable allowing field replacements of contacts and seals.

3.2 Connector Performance Requirements

3.2.1 CONNECT/DISCONNECT

- a. The connector shall comply with SAE J2030 or SAE J2202 or both except the number of connect/disconnect cycles shall be 1000.
- b. The receptacle shall support/provide positive and friction-locking mechanism versions. It shall provide alignment before contact engagement to ensure proper engagement of the connector. The connector shall be capable of engagement with one hand.
- c. The connector shall have easily identified keying arrangement by sight and touch.

3.2.2 ENVIRONMENTAL REQUIREMENTS

The connector shall be available in both sealed and unsealed versions. A dust cap shall be available. For Environmental Requirements the connector shall meet the test requirements of SAE J2030 or SAE J2202 or both.

3.3 Physical Requirements

3.3.1 PIN DESIGNATION

- a. The pins/sockets shall be sized commensurate with 2, 1, 0.8, and 0.5 mm² conductors (corresponding to 14, 16, 18, and 20 AWG). The size of the mating end of the contact is 16 AWG, regardless of wire size.
- b. CAUTION: Appropriate conductor seals are necessary to ensure the sealing integrity of the connector.
- c. The connector shall have nine pins designated as follows:
 - Pin A Battery (-)
 - Pin B Battery (+)Unswitched - with Unconditioned 10 A fuse
 - Pin C CAN_H Tractor Bus
 - Pin D CAN_L Tractor Bus
 - Pin E CAN_SHLD (for SAE J1939-11) or No Connection (for ISO 11783-2)
 - Pin F SAE J1708 (+)
 - Pin G SAE J1708 (-)
 - Pin H Proprietary OEM Use or Implement Bus CAN_H
 - Pin J Proprietary OEM Use or Implement Bus CAN_L
- d. For information regarding cable termination, including the shield, reference SAE J1939-11, Appendix B.

3.3.2 CONNECTOR MECHANICAL REQUIREMENTS

The dimensional characteristics of the diagnostic connectors are shown in Figures through . Pin designations on the connector are preferred but not required. Any pin designation applied to the connector must conform to Figures 1 through 5.

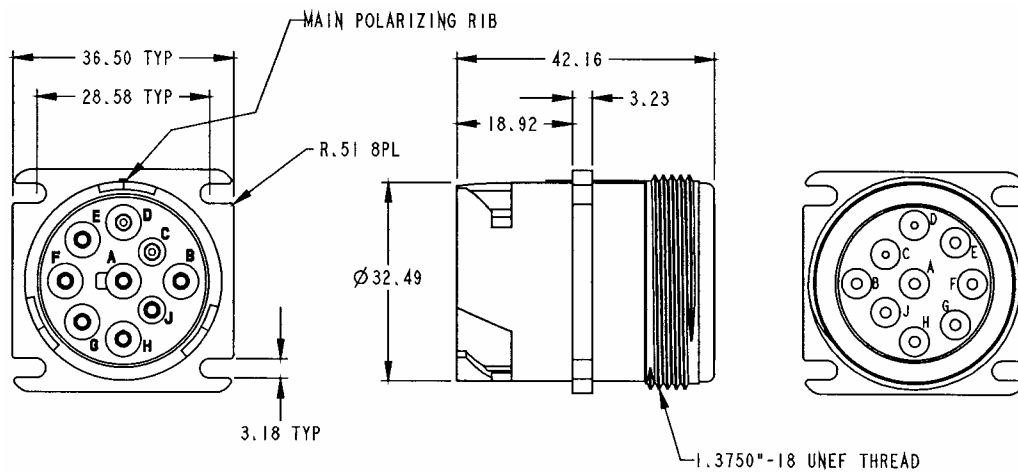


FIGURE 1—FLANGE MOUNT DIAGNOSTIC RECEPTACLE CONNECTOR

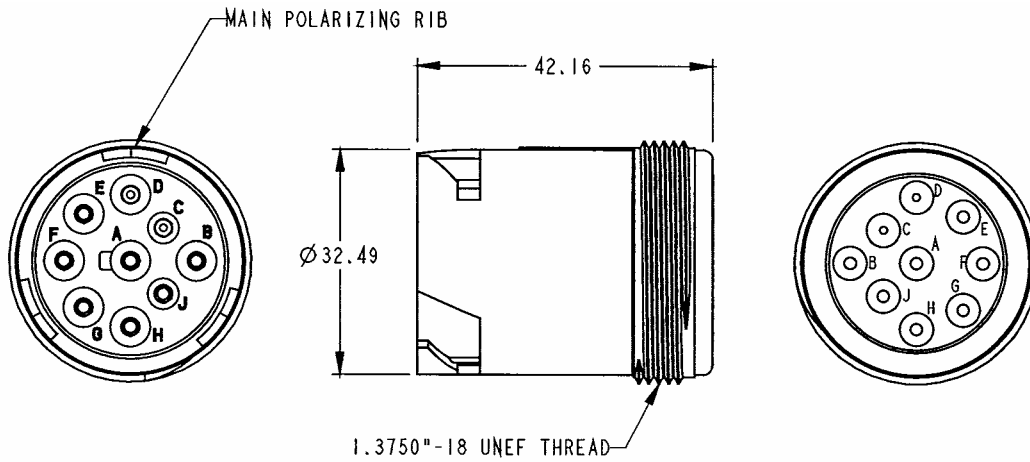


FIGURE 2—IN-LINE DIAGNOSTIC RECEPTACLE CONNECTOR

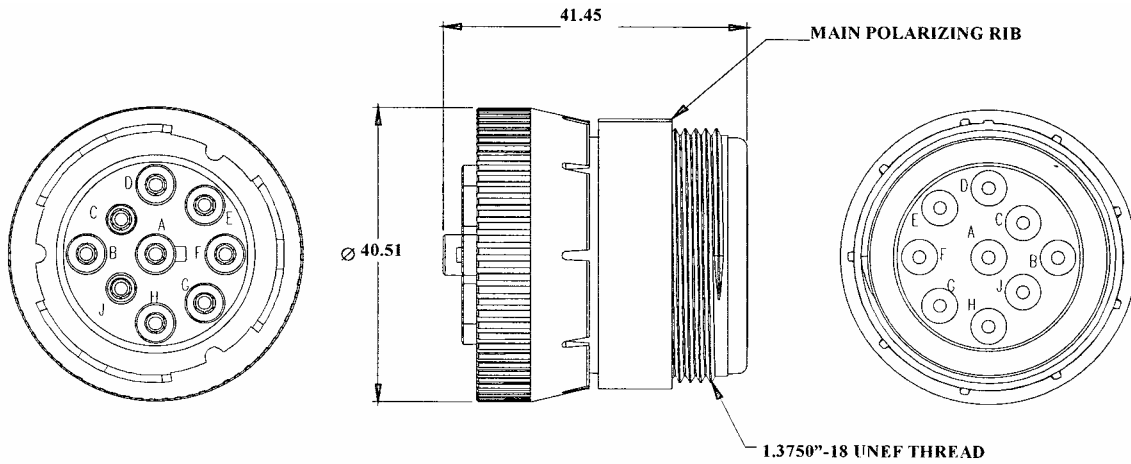


FIGURE 3—DIAGNOSTIC PLUG CONNECTOR

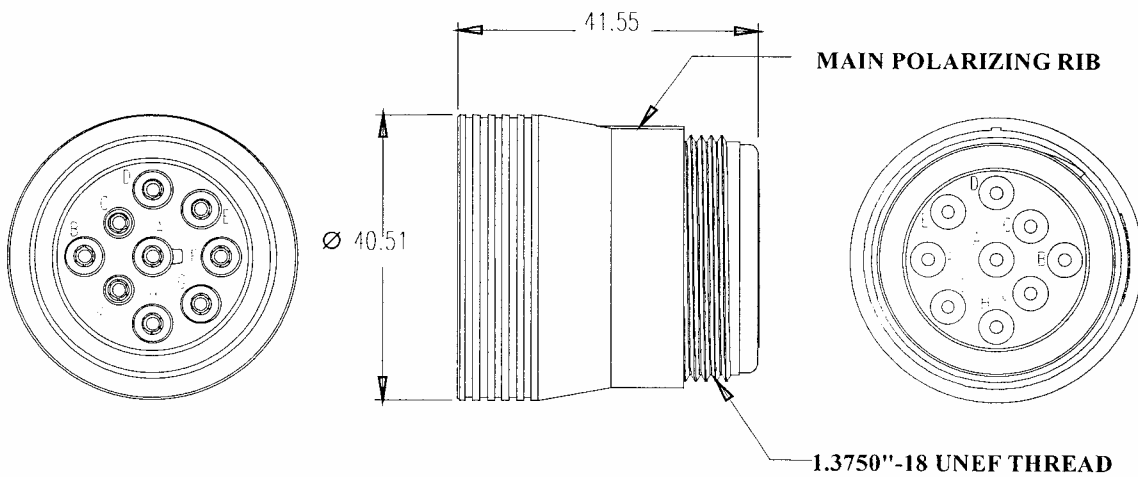


FIGURE 4—FRICTION-LOCKING PLUG CONNECTOR

SAE J1939-13 Revision MAR2004

Rationale—Changes from July 1999 document:

Additions—Added reference to SAE J1939-15 and SAE J2202.

Deletions—None.

Clarifications—“tail” was changed to “stub” and the title for ISO 11783-2 “Tractors and Machinery for Agriculture and Forestry – Serial Control and Communications Data Network – Physical Layer” was added. Corrected all places in SAE document number from a “/” to a “-”.

Relationship

Not applicable.

Application

These SAE Recommended Practices are intended for light- and heavy-duty vehicles on- or off-road as well as appropriate stationary applications which use vehicle derived components (e.g., generator sets). Vehicles of interest include but are not limited to; on- and off-highway trucks and their trailers; construction equipment; and agricultural equipment and implements.

The purpose of these documents is to provide an open interconnect system for electronic systems. It is the intention of these documents to allow electronic devices to communicate with each other by providing a standard architecture.

Reference Section

SAE J1708—Serial Data Communications Between Microcomputer Systems in Heavy-Duty Vehicle Applications

SAE J1939-11—Physical Layer—250K bits/s, Shielded Twisted Pair

SAE J1939-15 —Reduced Physical Layer, 250K bits/s, Un-Shielded Twisted Pair (UTP)

SAE J2030—Heavy-Duty Electrical Connector Performance Standard

SAE J2202— Heavy Duty Wiring Systems for On-Highway Trucks

ISO 11783-2—_Tractors and Machinery for Agriculture and Forestry – Serial Control and Communications Data Network – Physical Layer

ISO 11898—Road vehicles—Interchange of digital information—Controller Area Network (CAN) for high speed communication

Developed by the SAE Truck and Bus Control and Communications Network Subcommittee

Sponsored by the SAE Truck and Bus Electrical Committee