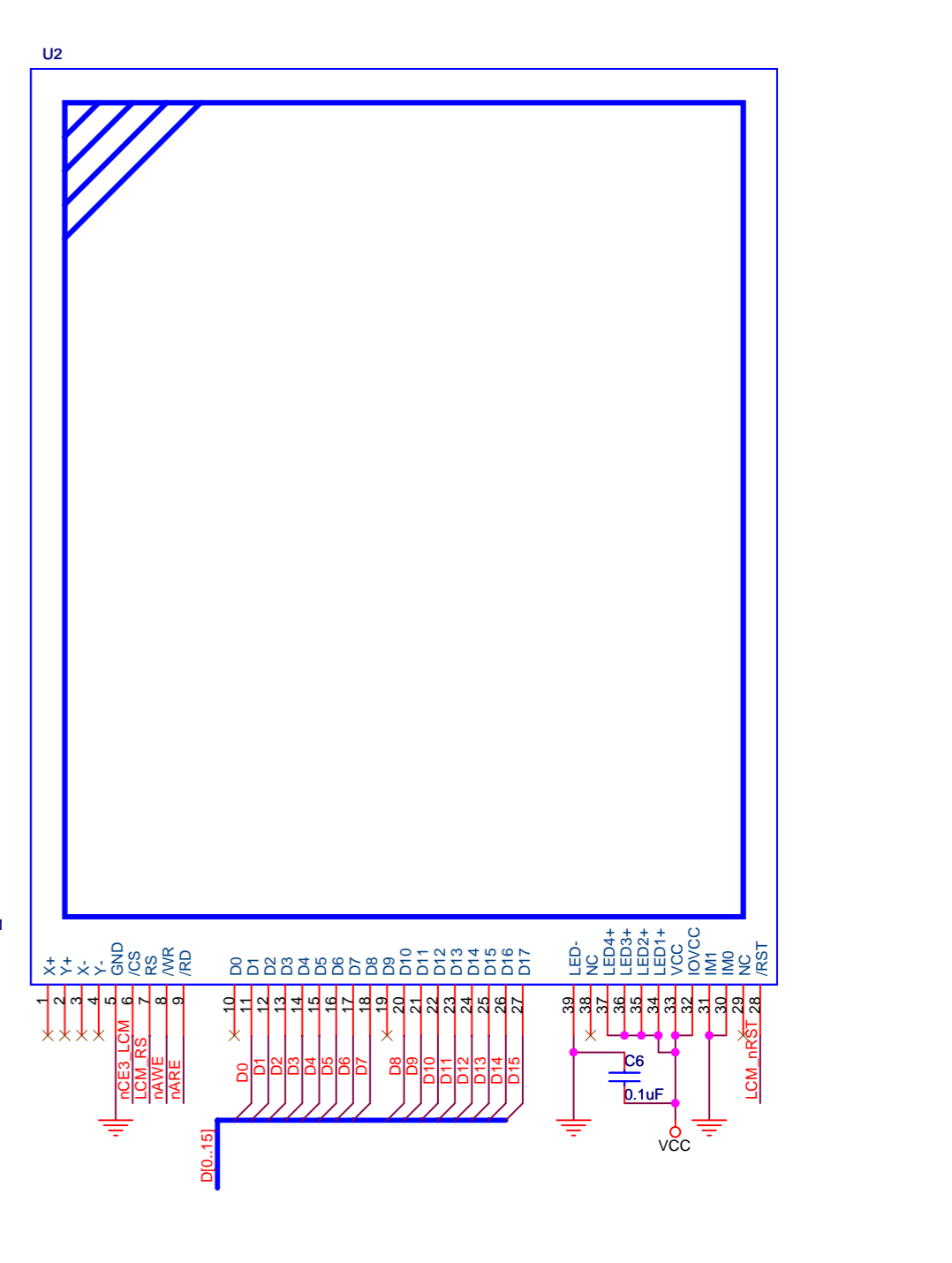
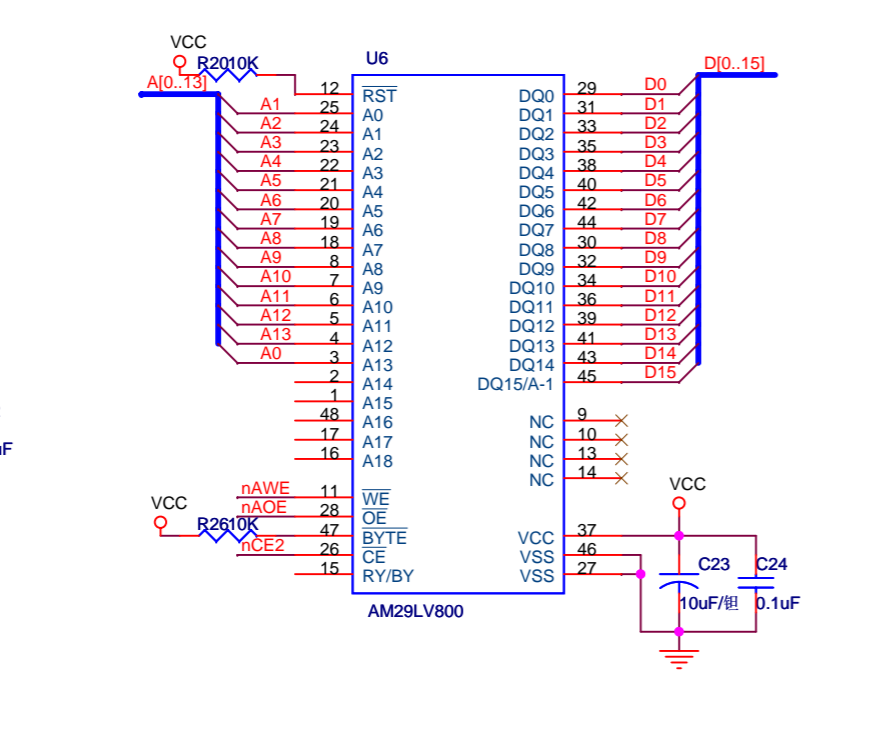
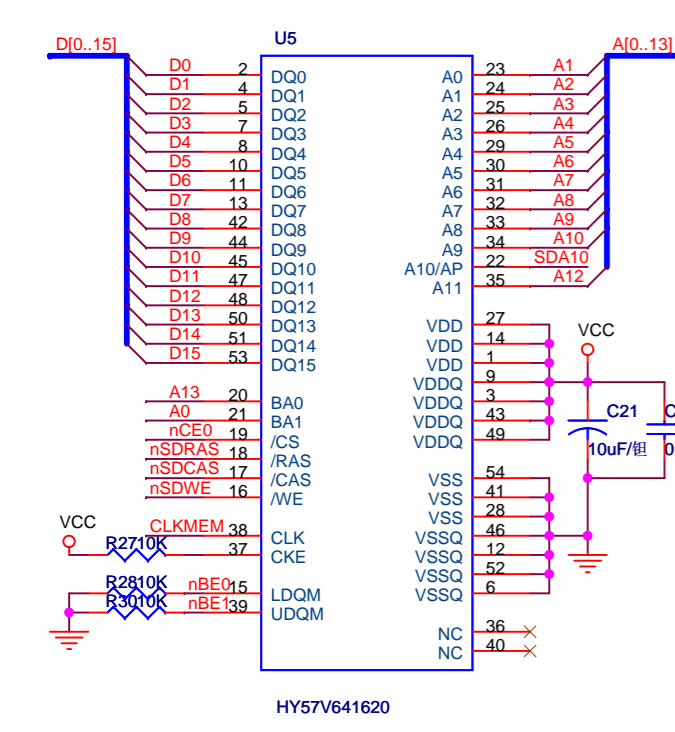


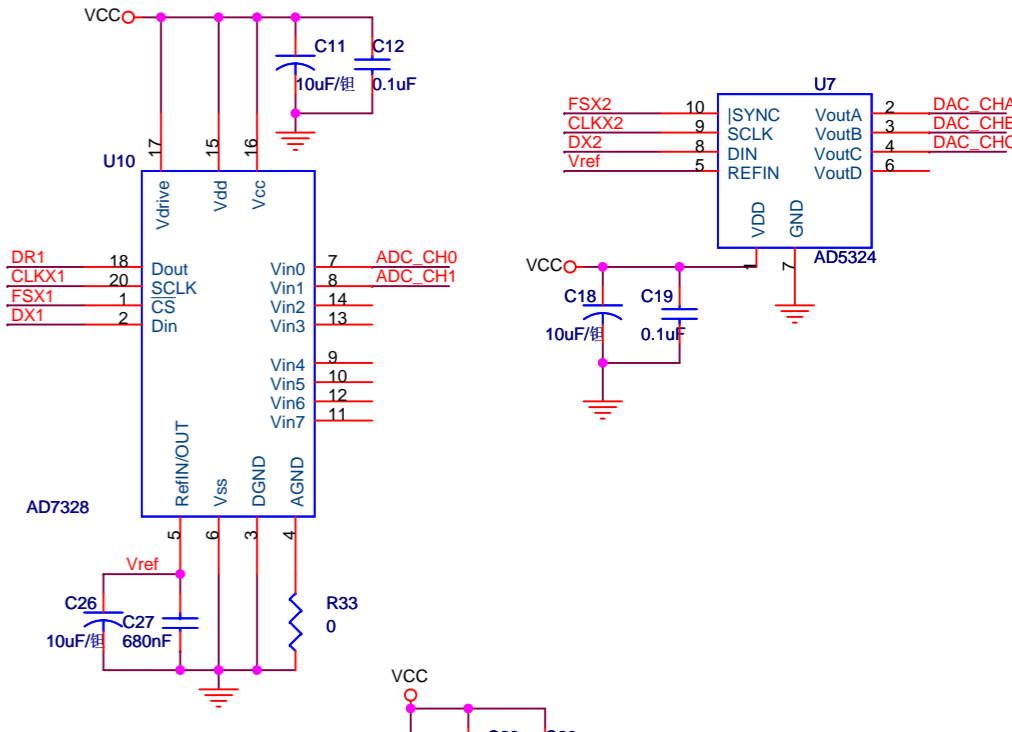
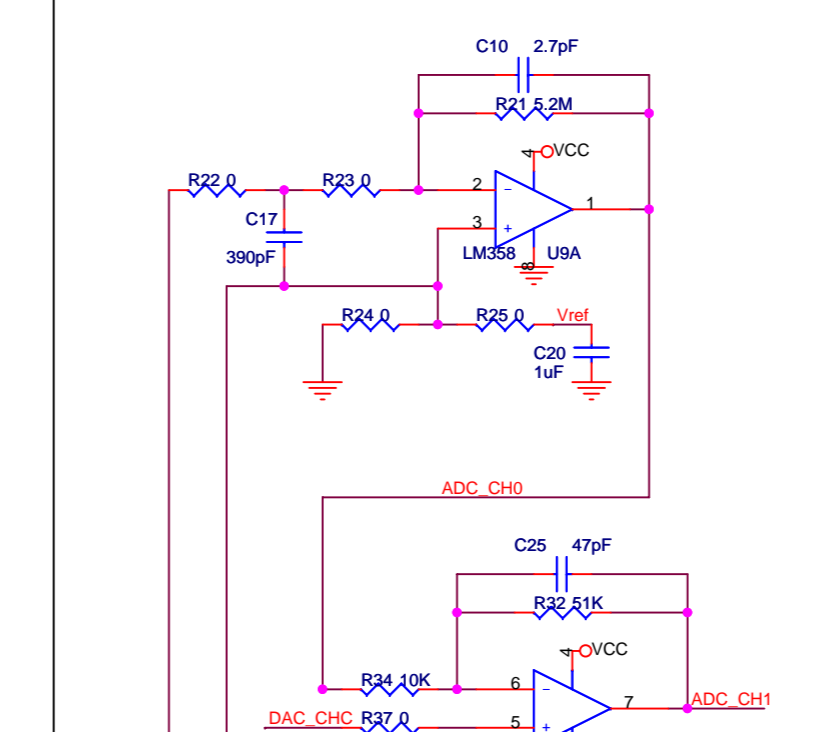
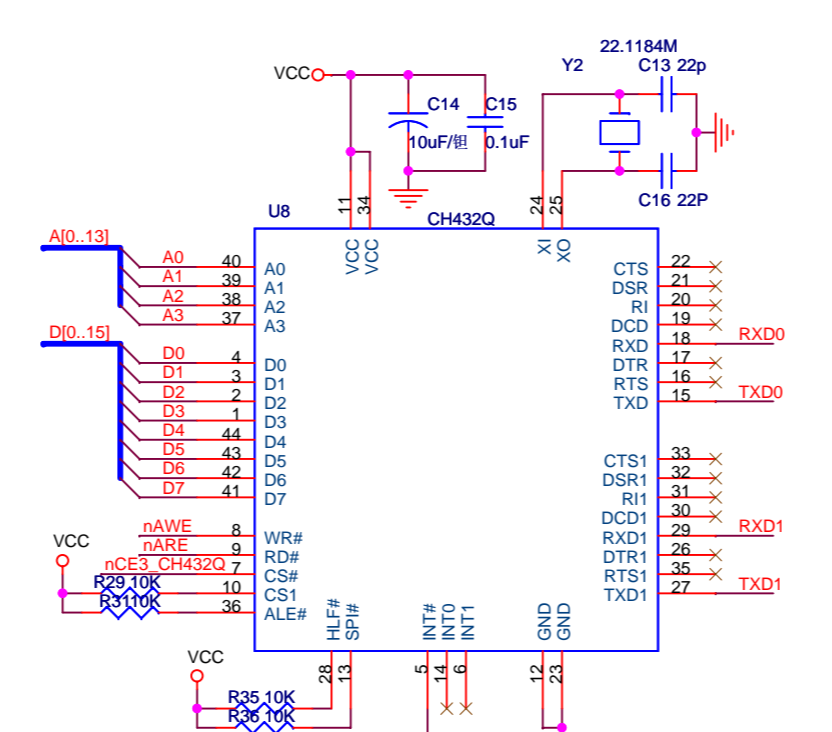
DSP ,EEPROM ,MISC



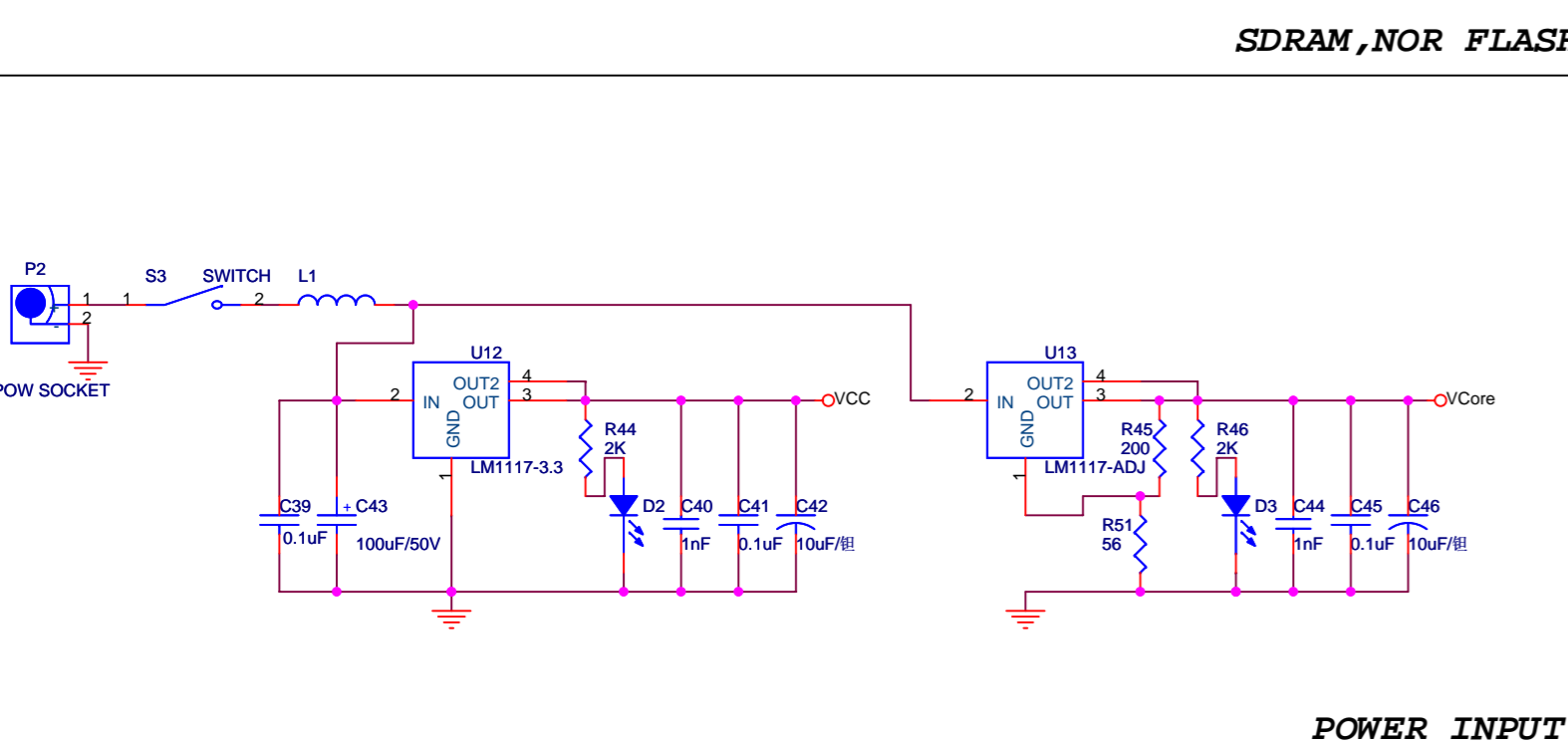
2.4" DISPLAY



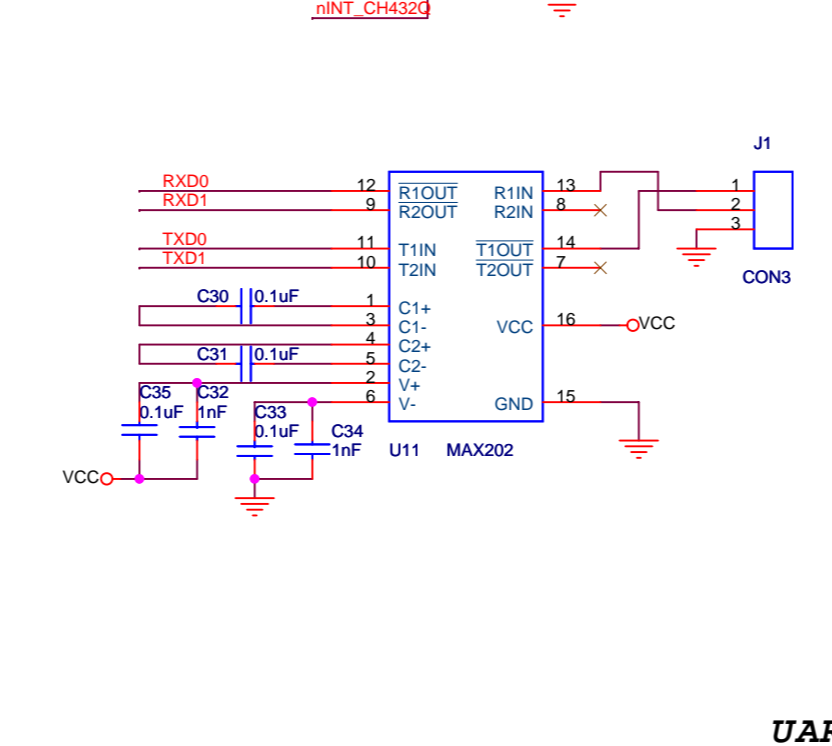
SDRAM ,NOR FLASH



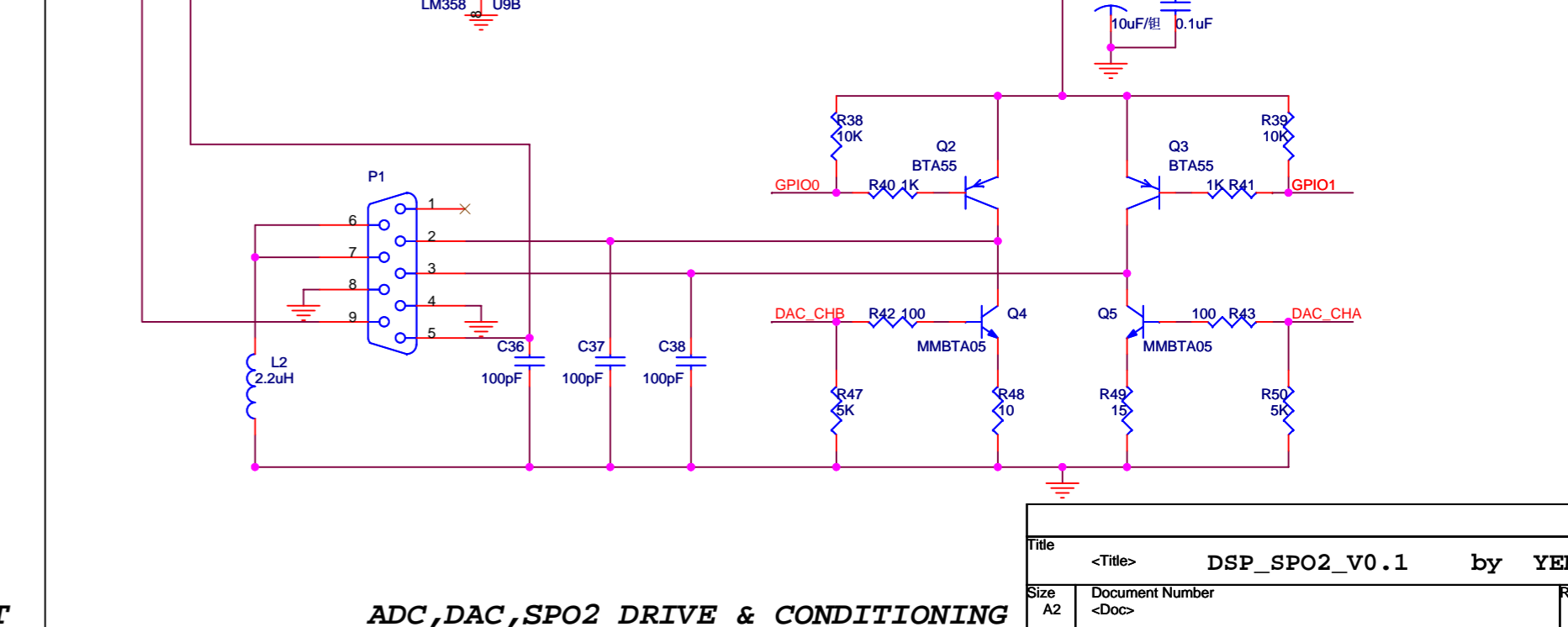
ADC,DAC,SPO2 DRIVE & CONDITIONING



POWER INPUT



UART



ADC,DAC,SPO2 DRIVE & CONDITIONING