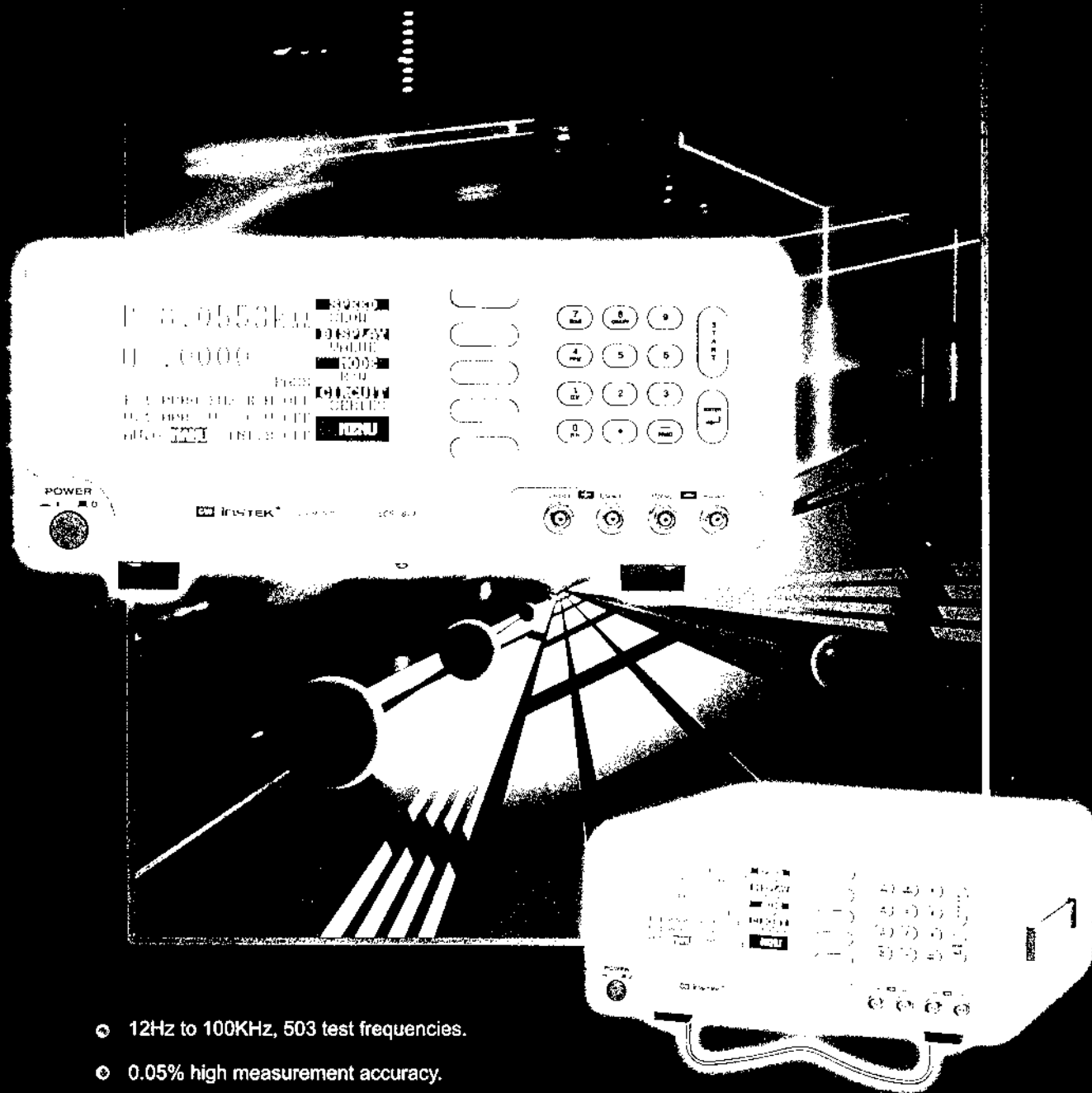


# LCR-819/817

## High Precision LCR Meter 12Hz~100kHz/10kHz



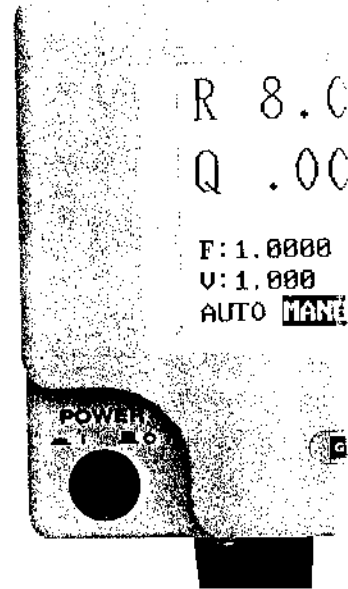
- ⦿ 12Hz to 100KHz, 503 test frequencies.
- ⦿ 0.05% high measurement accuracy.
- ⦿ 100 sets memory for store recall of setup state.
- ⦿ 240 x 128 dot matrix LCD display.
- ⦿ R/Q, C/D, C/R, L/Q test modes.

# LCR-8

## 12Hz~100KHz/10KHz H

- ↪ 12Hz to 100KHz, 503 continuously variable frequencies.
- ↪ 0.05% high measurement accuracy.
- ↪ 100 sets memory for store/recall of setup state.
- ↪ R/Q, C/D, C/R, L/Q test modes.
- ↪ Absolute value,  $\Delta$  value, and  $\Delta$  % measurement display.
- ↪ 240 x 128 dot matrix LCD display.
- ↪ Test condition and test result shown on the screen simultaneously.
- ↪ 5mV to 1.275V test voltage in 5mV/step.
- ↪ 2 V DC internal bias , 30V DC maximum external bias.

**NEW**  
**CE**



### High accuracy and actual operation condition simulation:

The LCR-819/817 LCR Meter is an instrument with high measurement accuracy of 0.05%. It is most useful in the application areas that need both high stability and high accuracy test criteria. The wide coverage of measurement frequency from 12Hz to 100KHz (10KHz for LCR-817) provides versatile parameter-to-frequency measurements to the device under test. The variable test signal voltage from 5mV to 1.275V and the internal/external DC bias selection of LCR-819/817 simulate the real operation condition of DUT and give user a test result of confidence.

### LCD Display and 100 sets of memory:

With 240 x 128 high resolution LCD display to show both the test condition and the test result simultaneously, the keypads for menu programming, and the 100 sets of memory to store/recall setup state, LCR-819/817 combines all the user-friendly features in one product.

### Test fixtures for various types of components:

Optional fixtures are available for easy measurement of radial leaded, axial leaded, and surface-mounting devices. LCR-819/817 provides you with a solution of accuracy and convenience. With this product, you are confident that component characteristics are shown just as what they really are in the actual operation environment.

### TEST FREQUENCY

R	18.187k $\Omega$	SPEED	SLOW
Q	.0002	DISPLAY	VALUE
TESTING		MODE	R/Q
F: 1	KHz	R.H	OFF
U: 1.000	V	C.V	OFF
AUTO	MANU	INT.B	OFF
			MENU

User can setup the "test frequency" on the main screen quickly and easily.

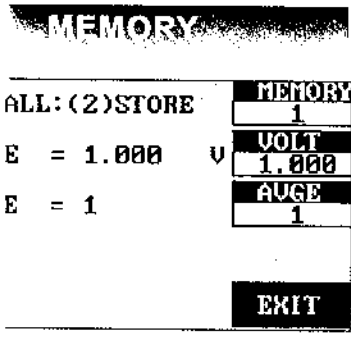
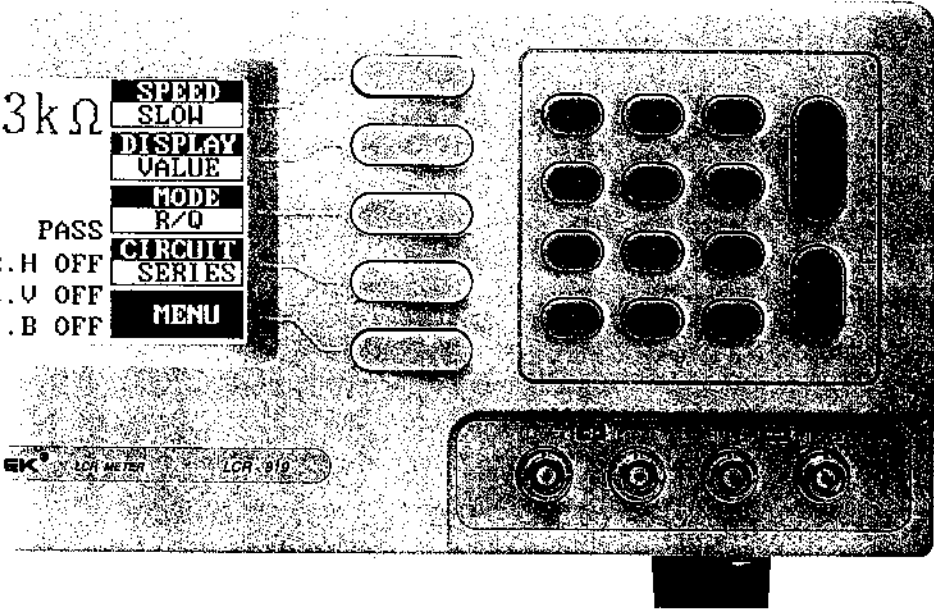
### TEST RESULT

R	.00025 %	SPEED	SLOW
Q	.0003	DISPLAY	DELTA%
TESTING		MODE	R/Q
F: 1.0000	KHz	R.H	OFF
U: 1.000	V	C.V	OFF
AUTO	MANU	INT.B	OFF
			MENU

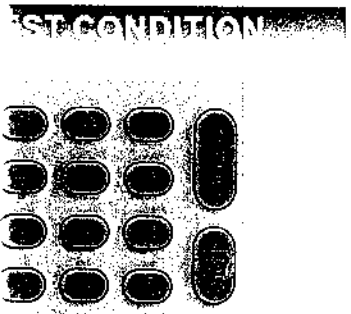
Three modes of measurement display, "VALUE", "DELTA%" and "DELTA", are available for selection depend on the demand.

# 9/817

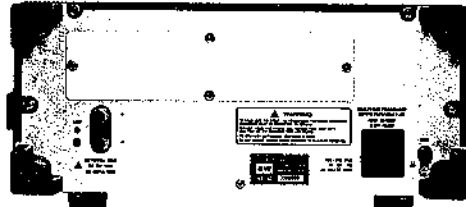
## h precision LCR Meter



Memory blocks for setup state store and

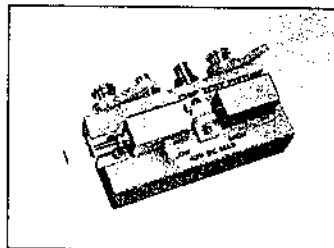


During operation, users are able to change the measurement conditions arbitrarily.



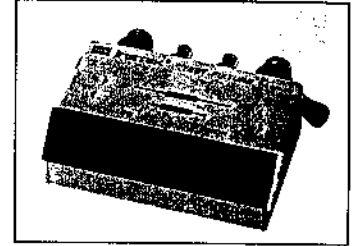
REAR PANEL VIEW

### MODEL: LCR-09



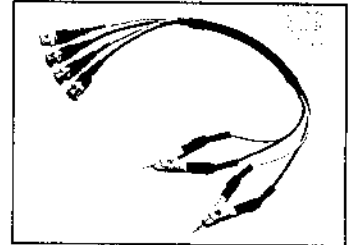
SMD/chip test fixtures

### MODEL: LCR-05



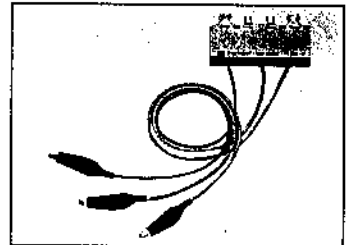
Test fixture for measurement of both axial and vertical lead components.

### MODEL: LCR-06



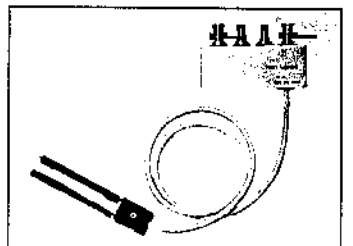
Kelvin clip test leads.

### MODEL: LCR-07



Test leads for conventional component measurement. It is especially useful for high impedance measurement. (with alligator clips)

### MODEL: LCR-08



SMD/chip tweezers

## LCR-819/817 SPECIFICATIONS

	LCR-819	LCR-817
TEST FREQUENCY	12Hz to 100kHz (503 steps)	12Hz to 10kHz (489 steps)
BASIC ACCURACY	0.05% basic accuracy	0.05% basic accuracy
TEST SIGNAL LEVELS	5mV~1.275mV (5mV/step)	
DC BIAS		
Internal	2V	
External	0 to 30V	
DISPLAY RANGE		
Impedance/Resistance    R	0.00000Ω ~ 99999KΩ	
Capacitance            C	0.00000pF ~ 99999μF	
Inductance             L	0.00000mH ~ 99999H	
Quality factor         Q	0.0000 ~ 9999	
Dissipation Factor    D	0.0000 ~ 9999	
TEST MODE	R/Q, C/D, C/R, L/Q	
EQUIVALENT CIRCUIT	Parallel or serial selectable	
MEMORY	100 memory blocks totally	
AVERAGE	1 to 255 times	
TEST SPEED	SLOW, MEDIUM and FAST	
DISPLAY MODE	Value, Δ%, Δ	
AC POWER SOURCE	100V to 240V	
LINE FREQUENCY	50Hz to 60Hz	
OPERATING TEMPERATURE	10° C to 50° C	
STORAGE TEMPERATURE	-20° C to 60° C	
DISPLAY	240 x 128 dot matrix C.C.F.L back light LCD	
DIMENSIONS	330 mm (W) x 149mm (H) x 437mm (D)	
WEIGHT	5.5Kg	

ISO-9001 CERTIFIED MANUFACTURER



**GOOD WILL INSTRUMENT CO., LTD.**

No. 95-11, Pao-Chung Road, Hsin-Tien City,  
Taipei Hsien, Taiwan, R.O.C.

TEL: 886-2-29179188 FAX: 886-2-29179189

URL: <http://www.goodwill.com.tw>

E-mail: [marketing@goodwill.com.tw](mailto:marketing@goodwill.com.tw)

U.S.A. Office Tel: 1-626-3366537 Fax: 1-626-3691748

Ordering Information :

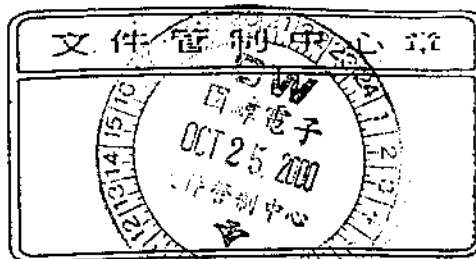
LCR - 819 12Hz to 100kHz LCR Meter

LCR - 817 12Hz to 100kHz LCR Meter

Specifications subject to change without notice.

CR-819SGD0

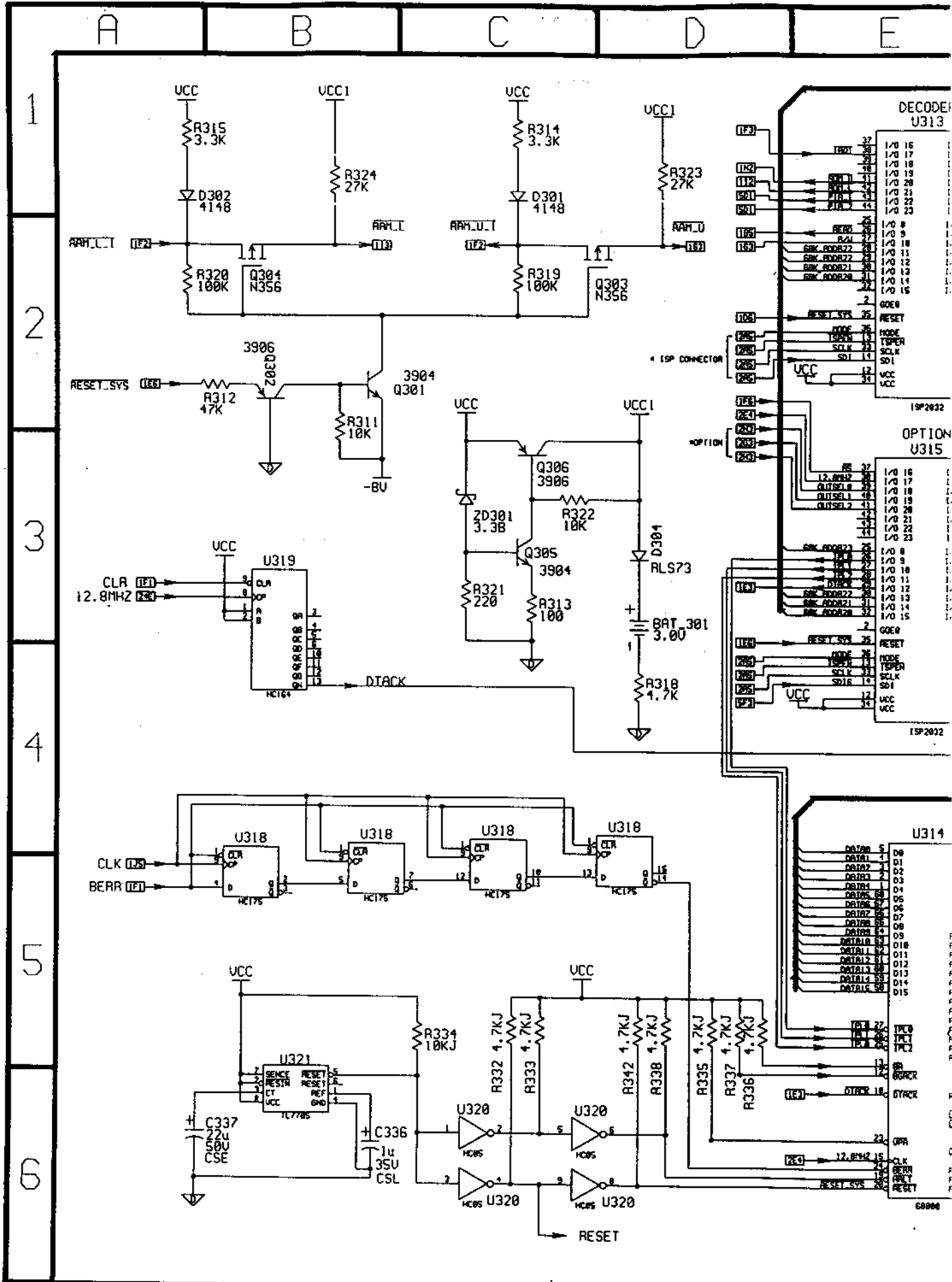
線 路 圖



適用機種: LCR-817/819

總頁數 共 6 頁

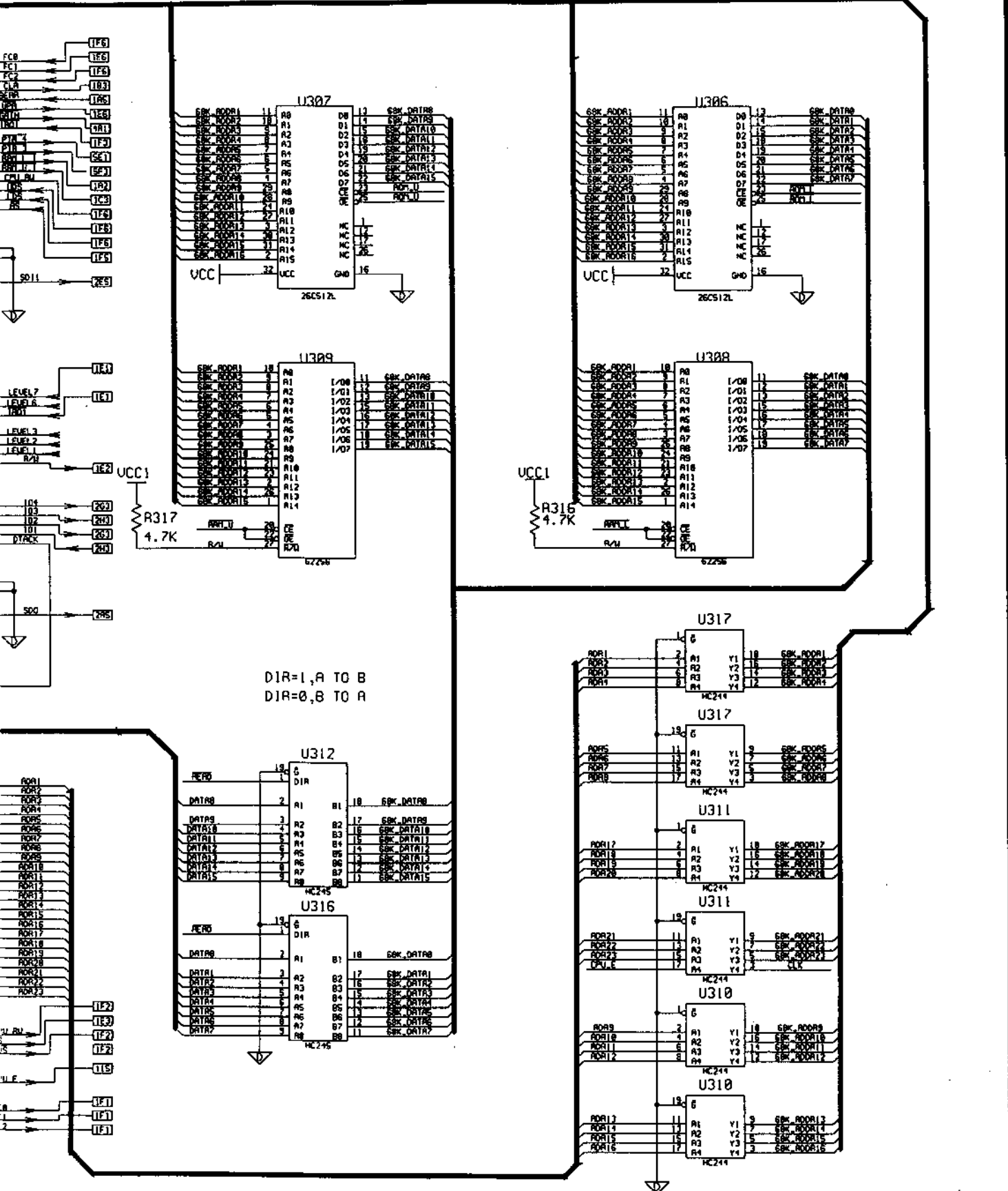
版本	發行 / 變更說明	ECR NO.	修訂日期
○	初版發行	<del>  </del>	88.11.18





INDICATES SHEET NUMBER  
 INDICATES VERTICAL ZONE NUMBER  
 INDICATES HORIZONTAL ZONE NUMBER

I F 6

F G H I J



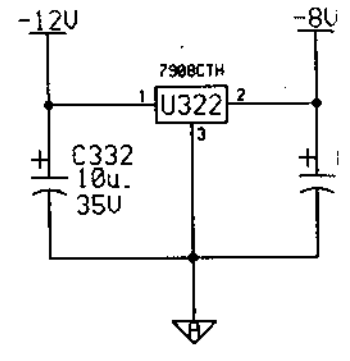
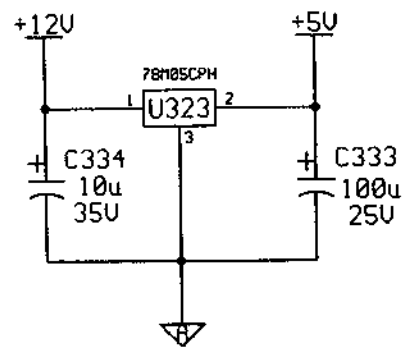
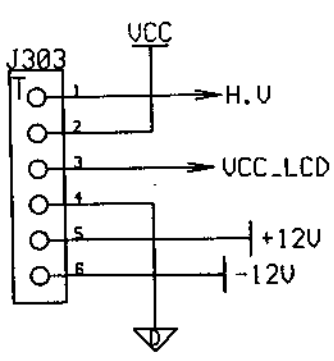
LCR-817/819

DRAWN BY 	CHECKED BY 	APPROVED BY 	MODEL NO	LCR-METER
			DESCRIPTION	CPU BOARD
			DRAWING NO	CR01S010 1/5

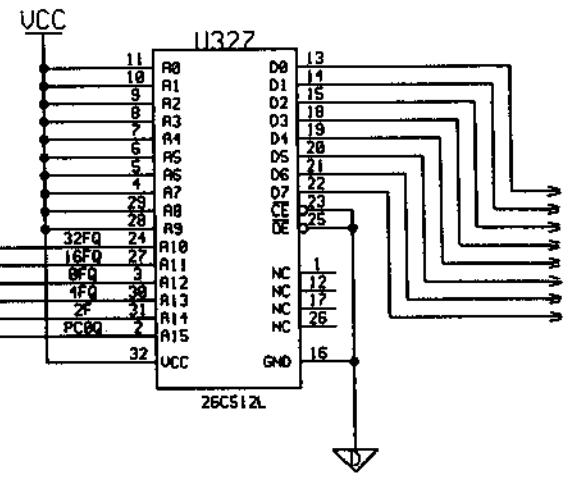
A B C D

1

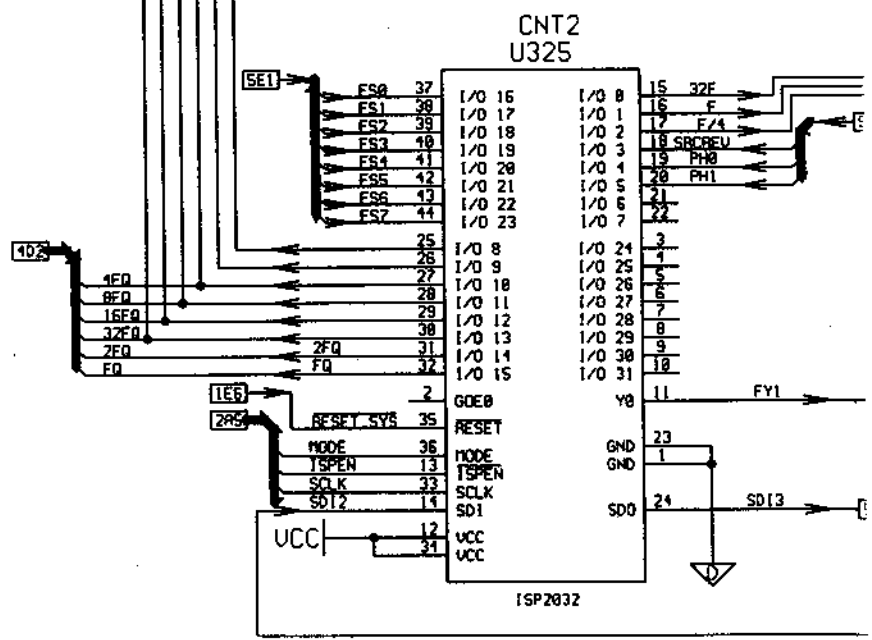
FROM SWITCHING POWER



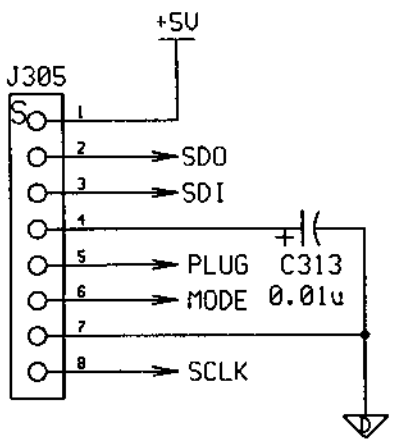
2



3



4



5

INDICATES SHEET NUMBER  
 INDICATES VERTICAL ZONE NUMBER  
 INDICATES HORIZONTAL ZONE NUMBER

1 F 6

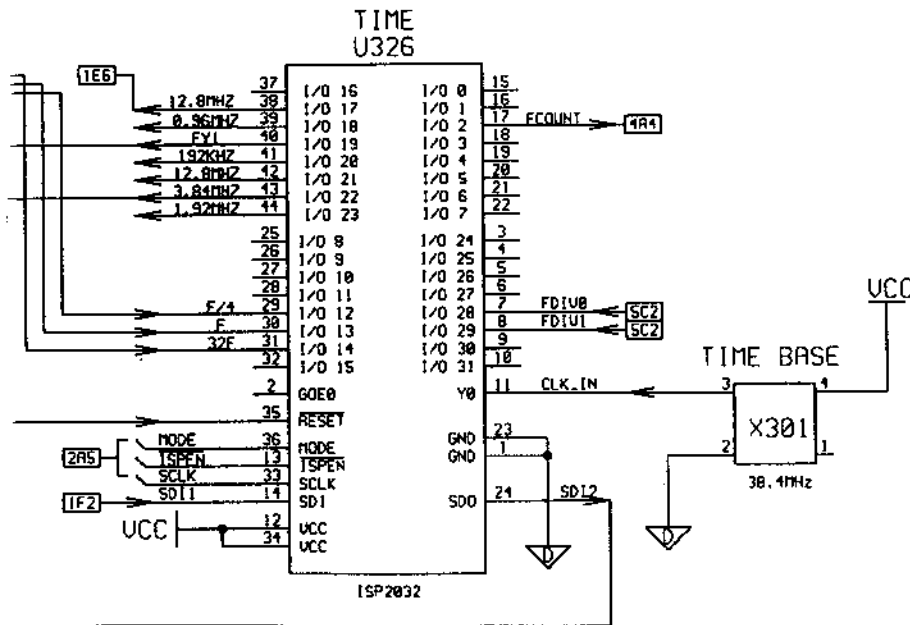
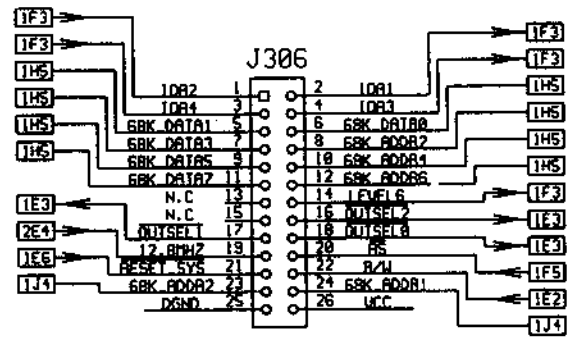
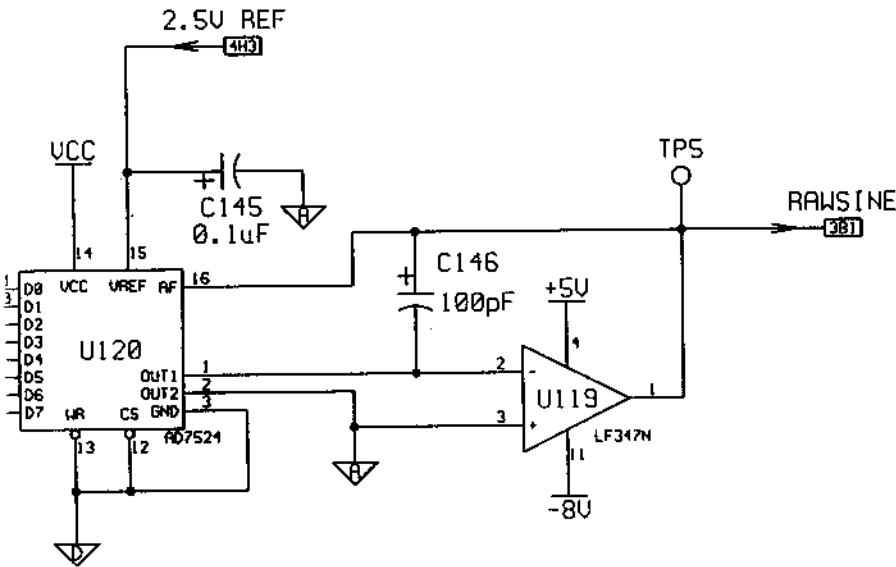


E

F

G

H



LOR-817/819

DRAWN BY



CHECKED BY



APPROVED BY



MODEL NO

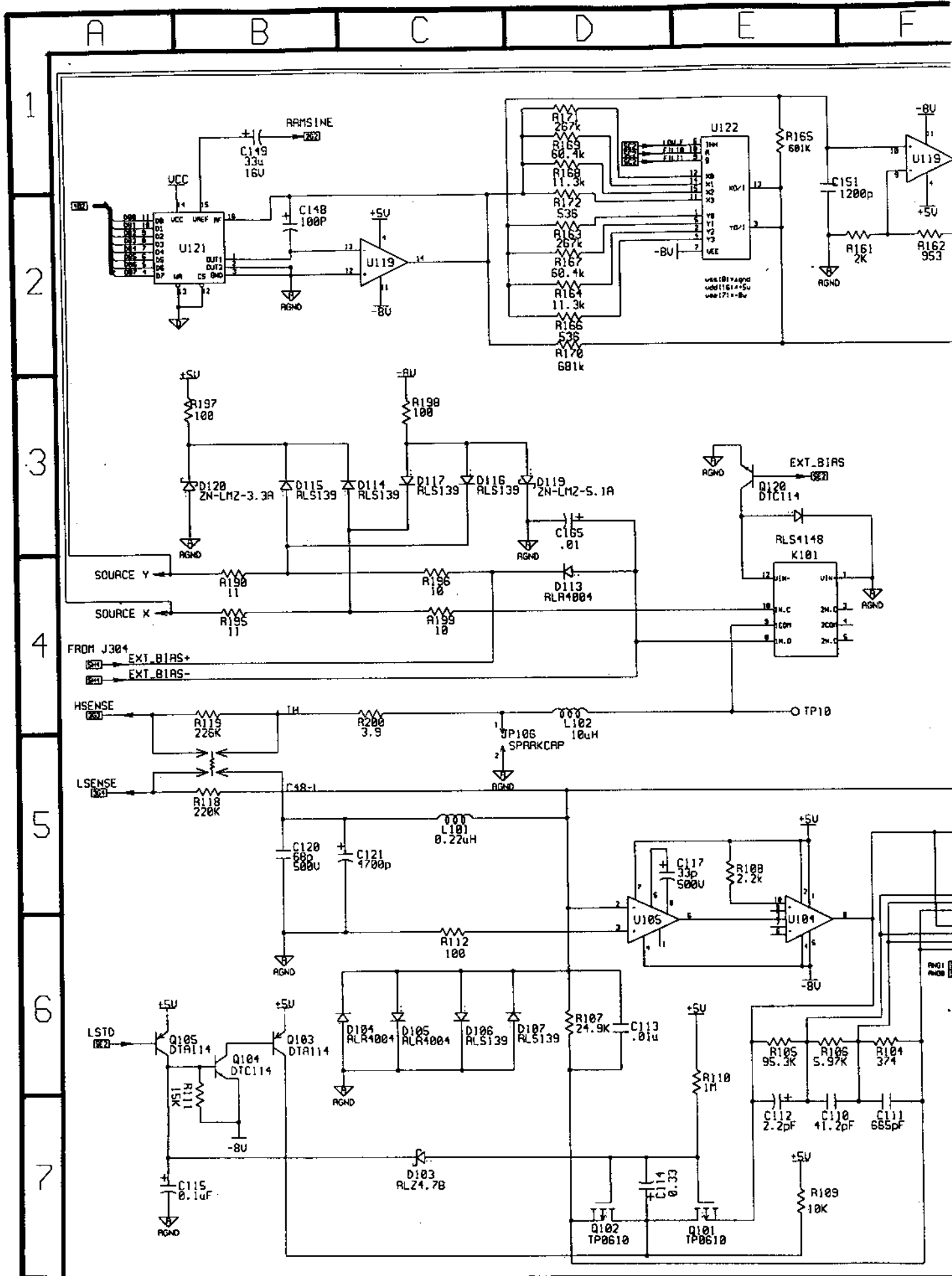
DESCRIPTION

DRAWING NO

LCR METER

CPU BOARD

CR01S010 2/5



INDICATES SHEET NUMBER  
 INDICATES VERTICAL ZONE NUMBER  
 INDICATES HORIZONTAL ZONE NUMBER

1 F 6

G

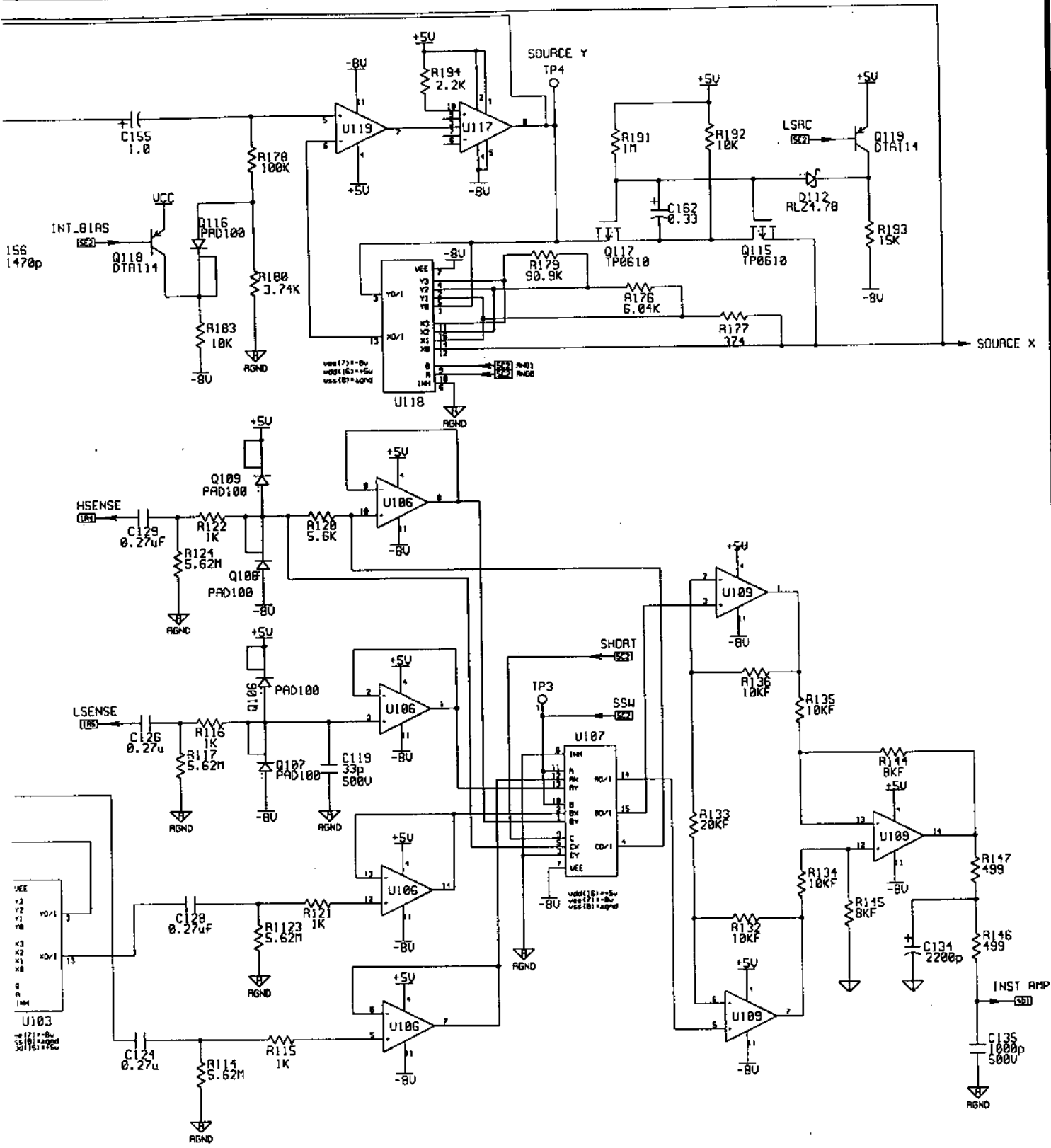
H

I

J

K

L



LCR-817/819

DRAWN BY

CHECKED BY

APPROVED BY

MODEL NO

LCR METER

呂  
88.11.18  
玉華

呂  
88.11.18  
玉華

呂  
88.11.18  
亞仁

DESCRIPTION

CPU BOARD

DRAWING NO

CR01S010 3/5

A B C D

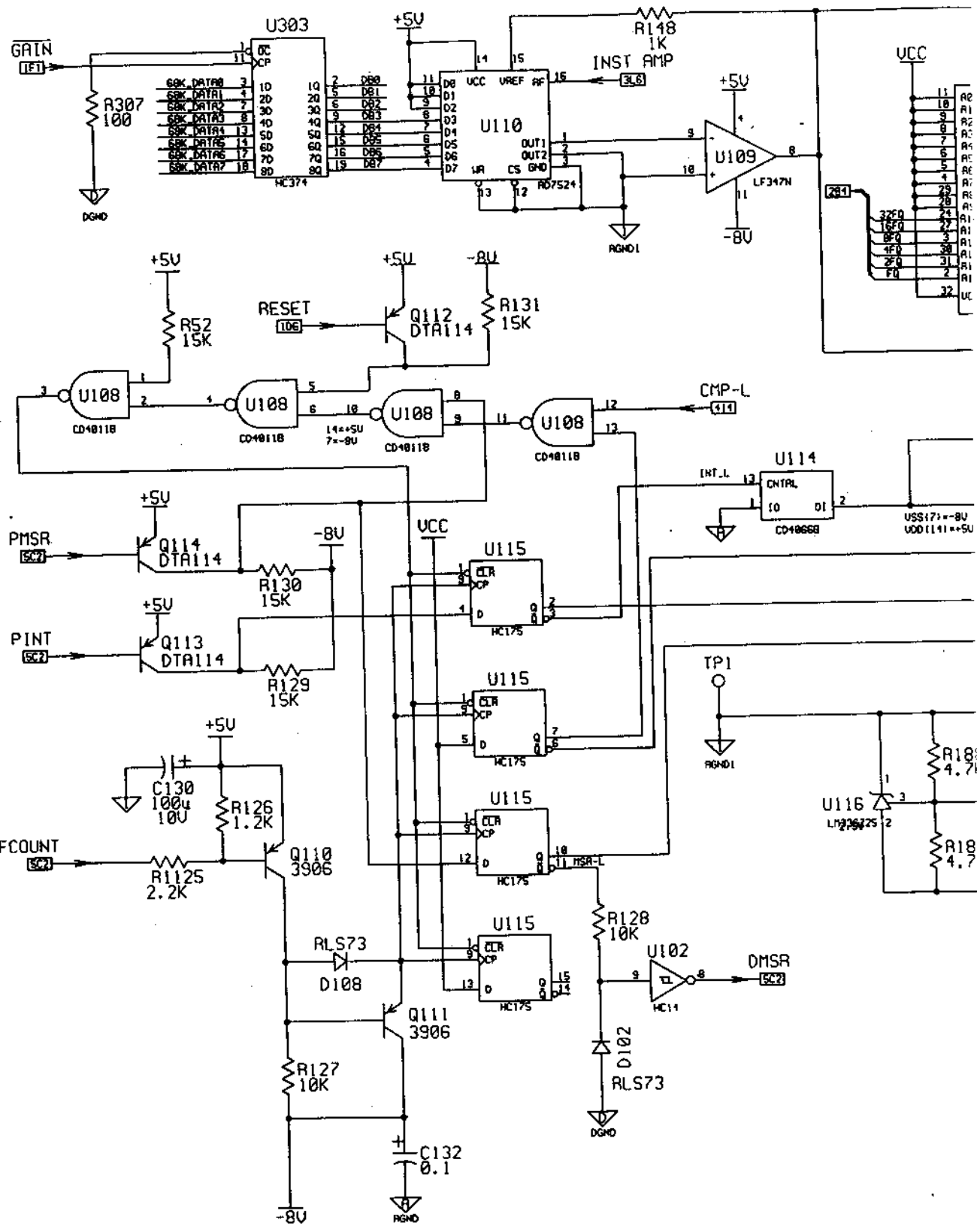
1

2

3

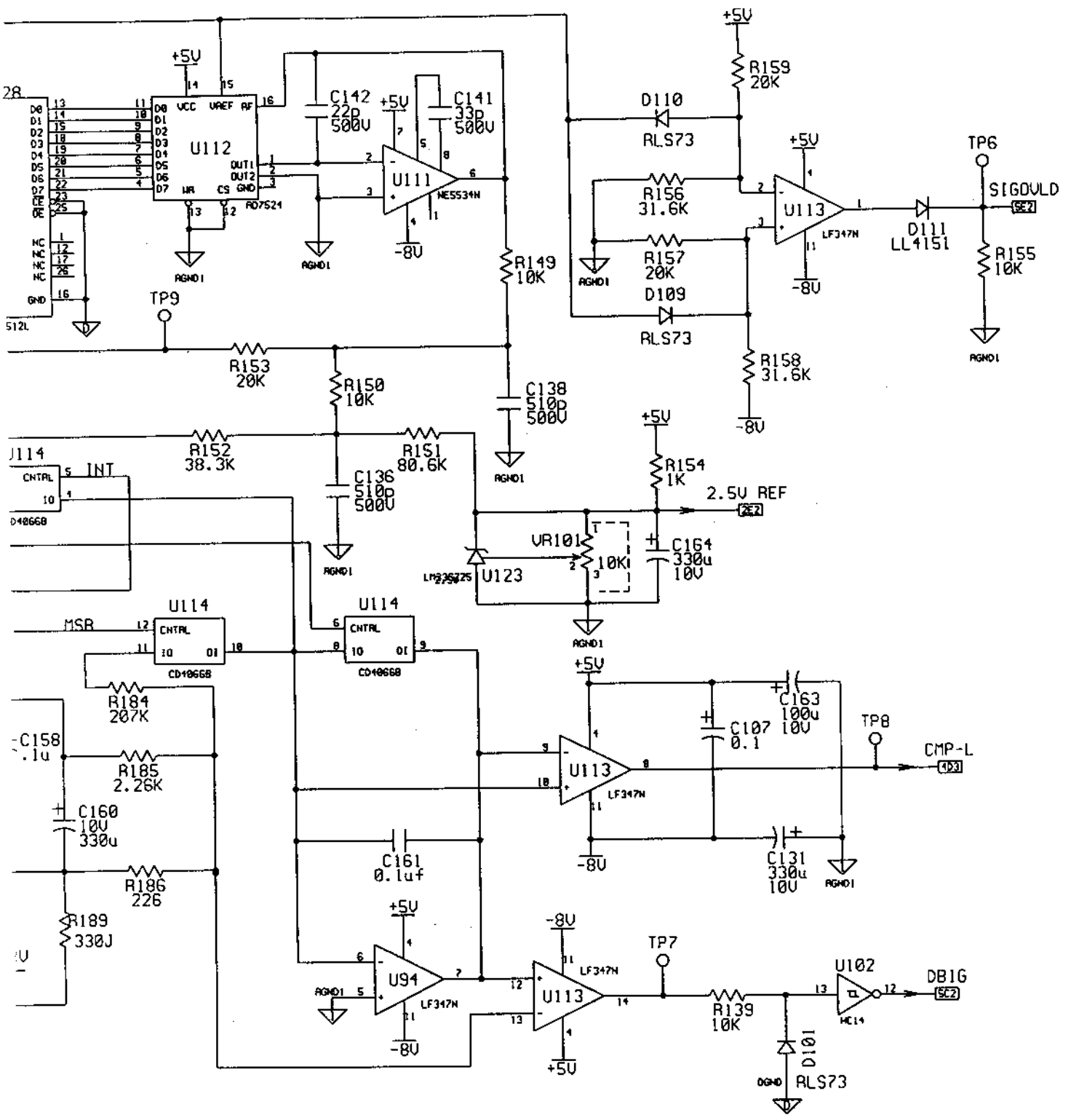
4

5



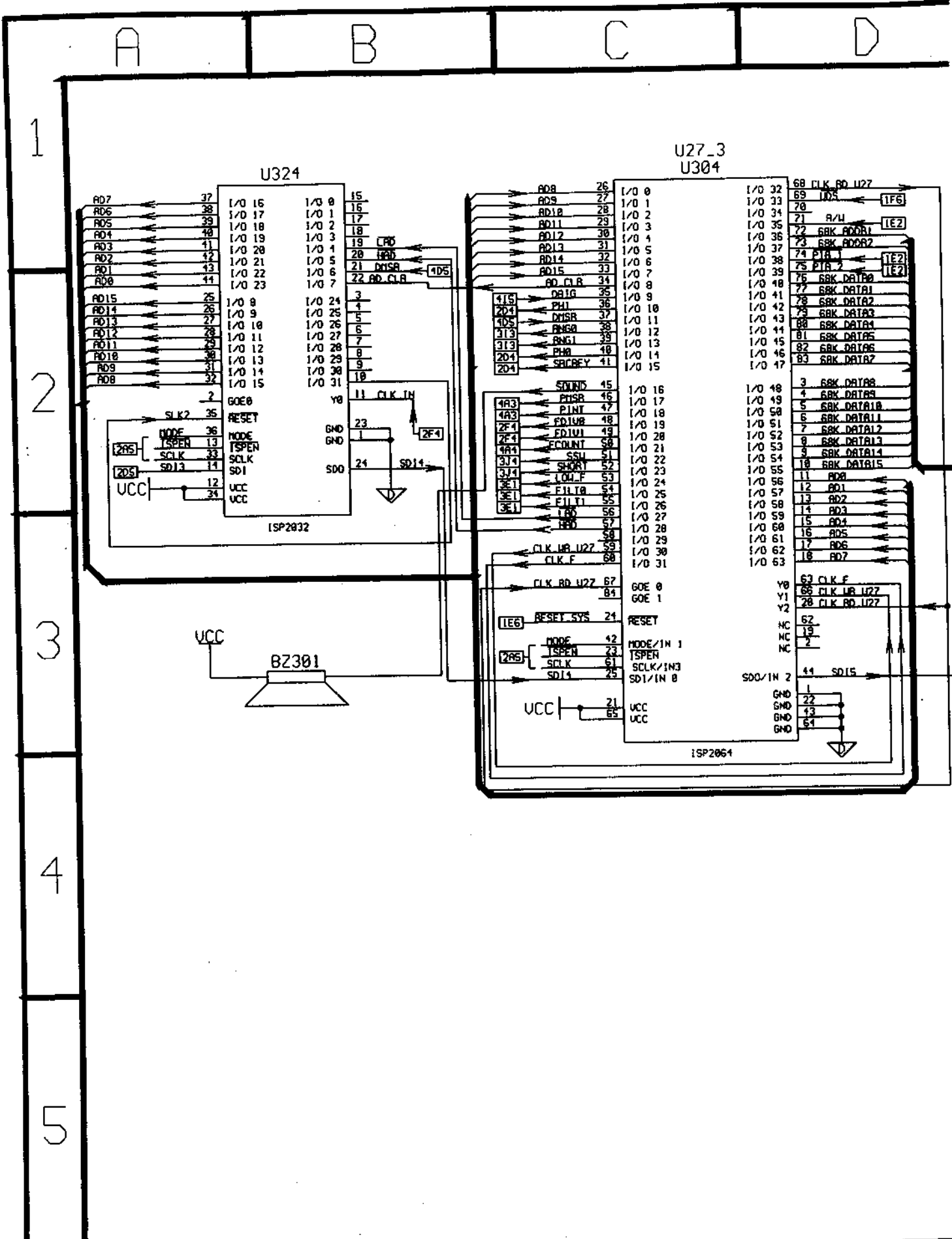
INDICATES SHEET NUMBER  
 INDICATES VERTICAL ZONE NUMBER  
 INDICATES HORIZONTAL ZONE NUMBER

1 F 6



LCR-817/819

DRAWN BY 呂 88.11.18 玉華	CHECKED BY 呂 88.11.19 玉華	APPROVED BY 張 88.11.18 張仁	MODEL NO	LCR METER
			DESCRIPTION	CPU BOARD
			DRAWING NO	CR01S010 4/5



INDICATES SHEET NUMBER  
 INDICATES VERTICAL ZONE NUMBER  
 INDICATES HORIZONTAL ZONE NUMBER

1 F 6

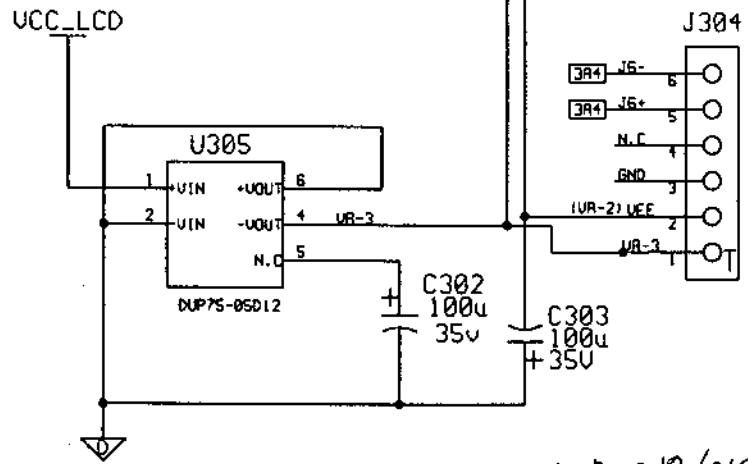
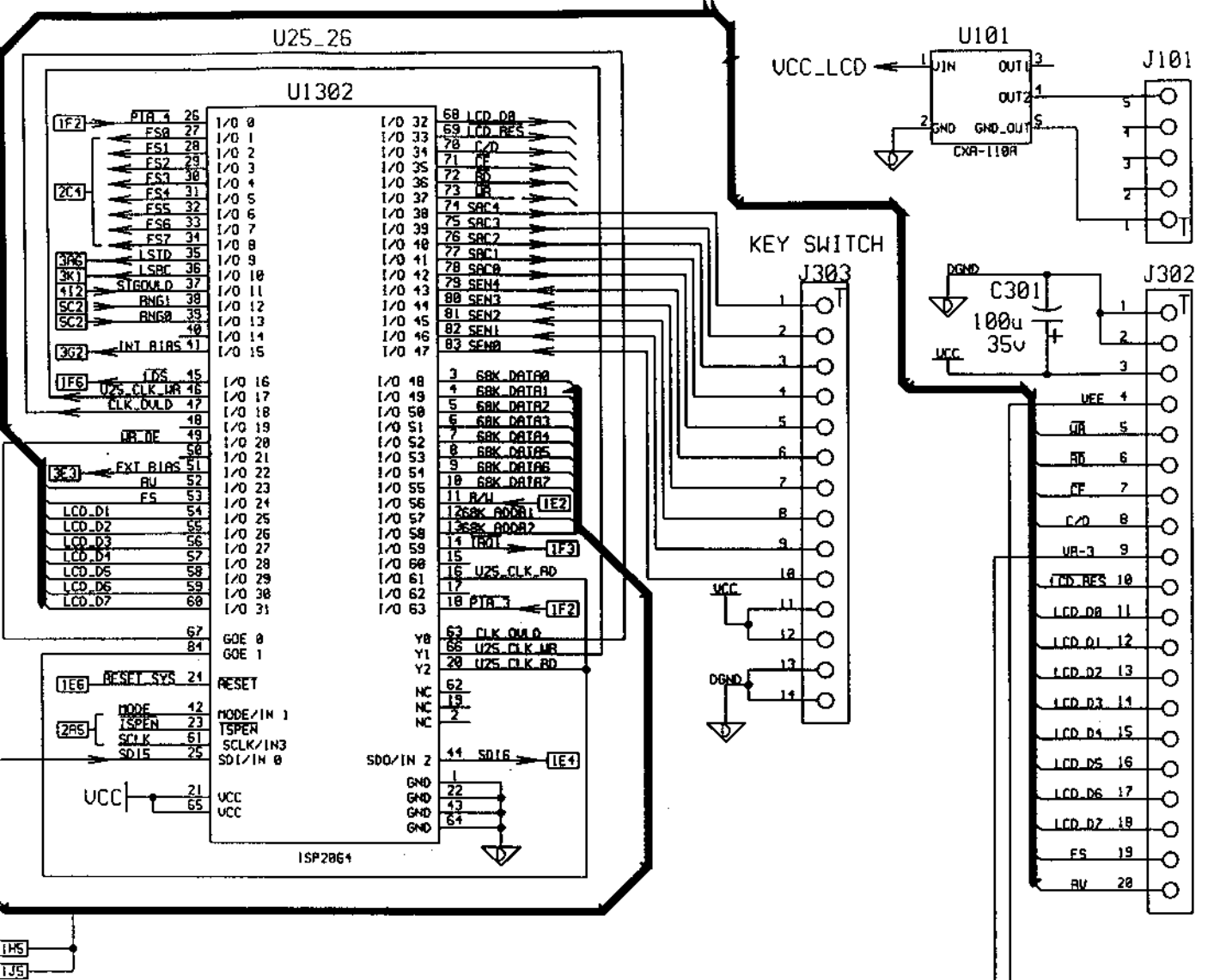
E

F

G

H

FOR LCD BACKLIGHT



LOR-817/819

DRAWN BY

CHECKED BY

APPROVED BY

MODEL NO

LCR METER

DESCRIPTION

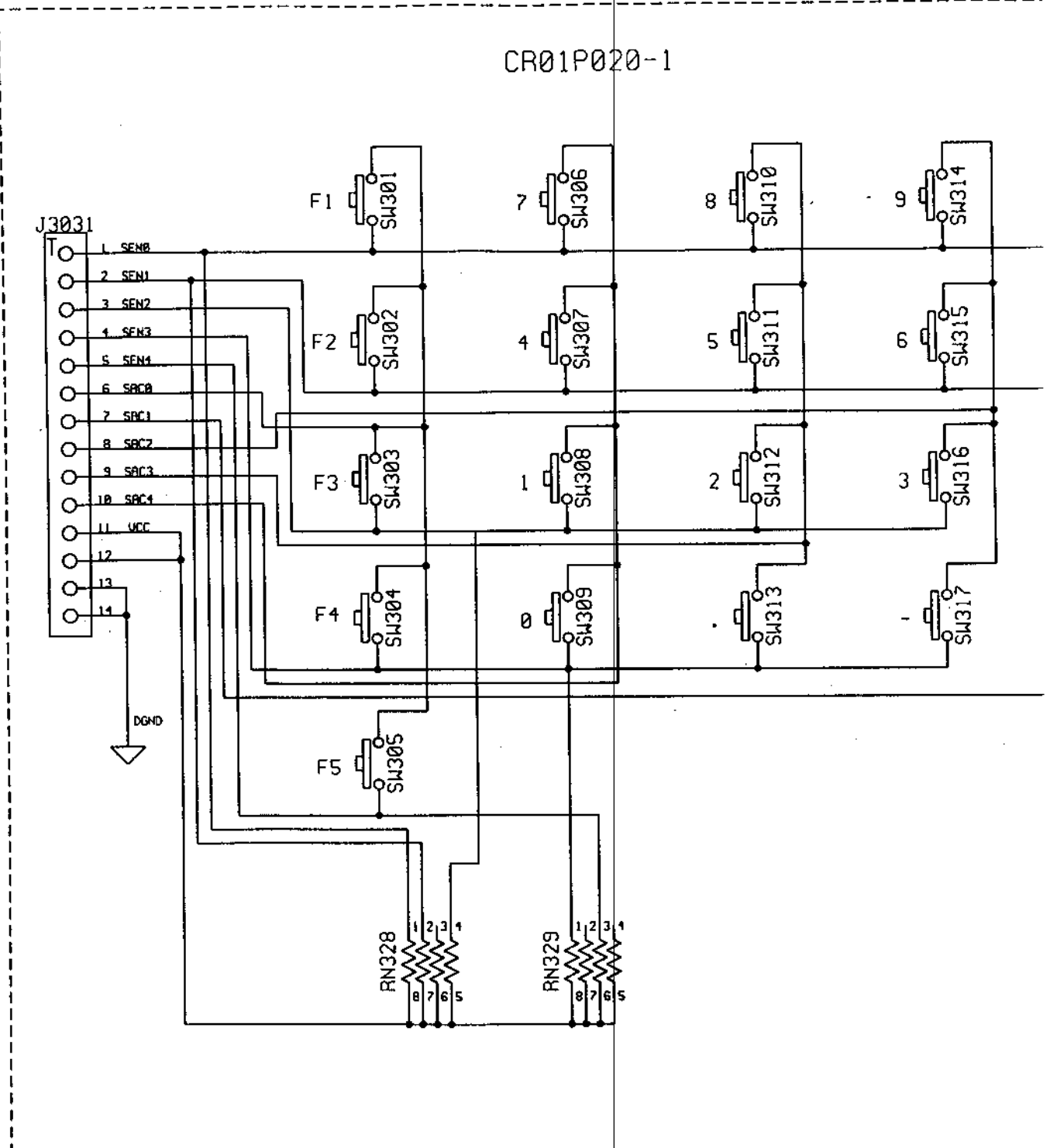
CPU BOARD

DRAWING NO

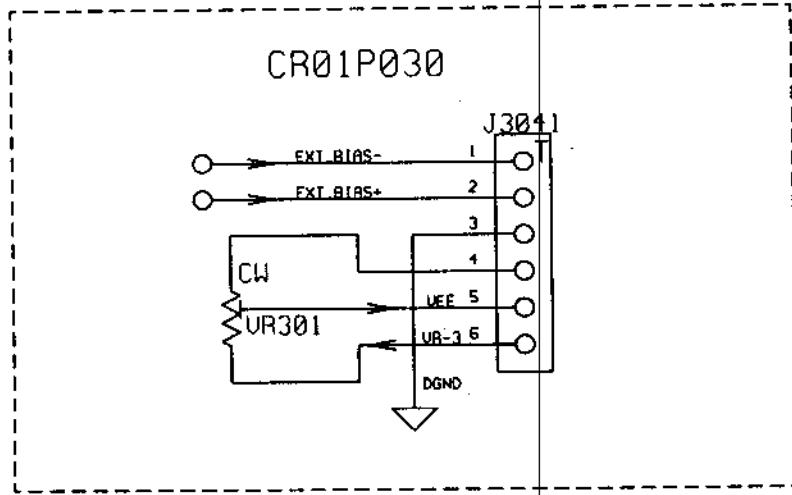
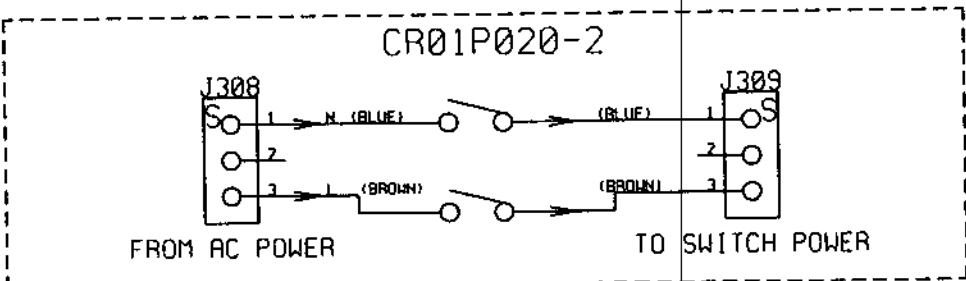
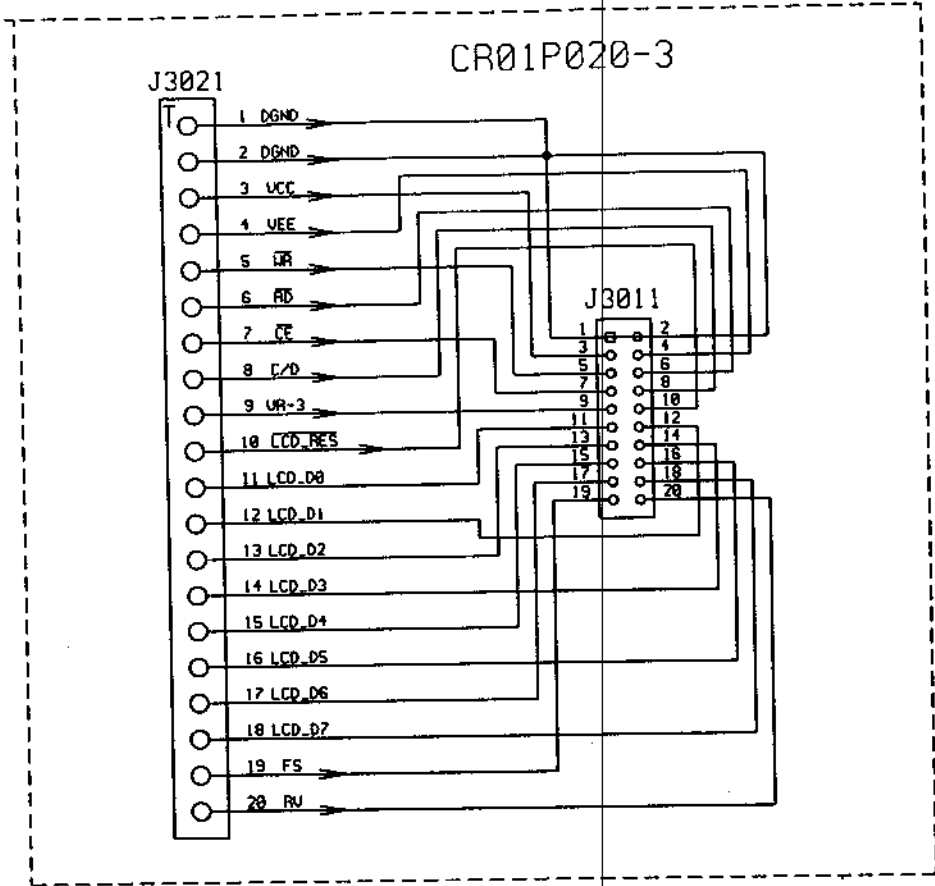
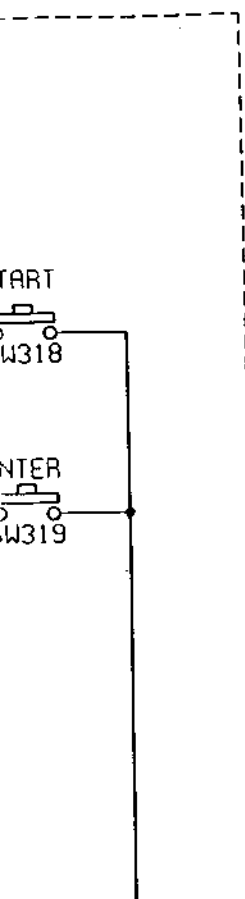
CR01S010 5/5



CR01P020-1







LCR-817/819

DRAWN BY 呂 88.11.18 玉華	CHECKED BY 呂 88.11.18 玉華	APPROVED BY 呂 88.11.18 亞仁	MODEL NO	LCR METER
			DESCRIPTION	KEY/DISPLAY
			DRAWING NO	CR01S020,030