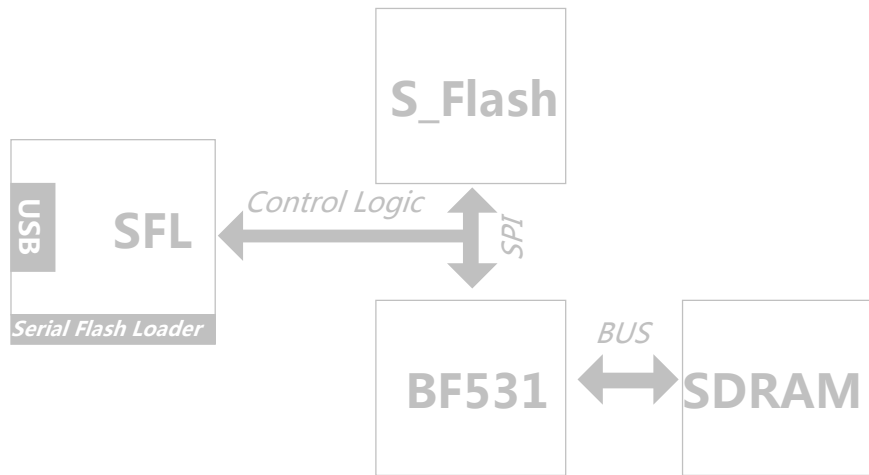


Block Diagram

Mini System 531



NOTES:

1. Notes here.

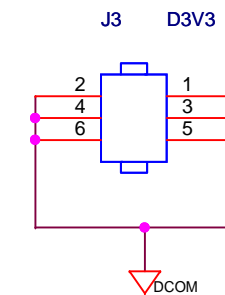
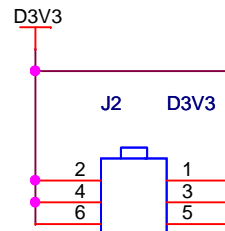
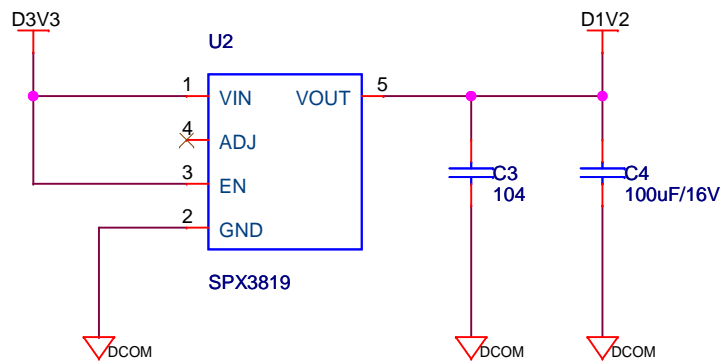
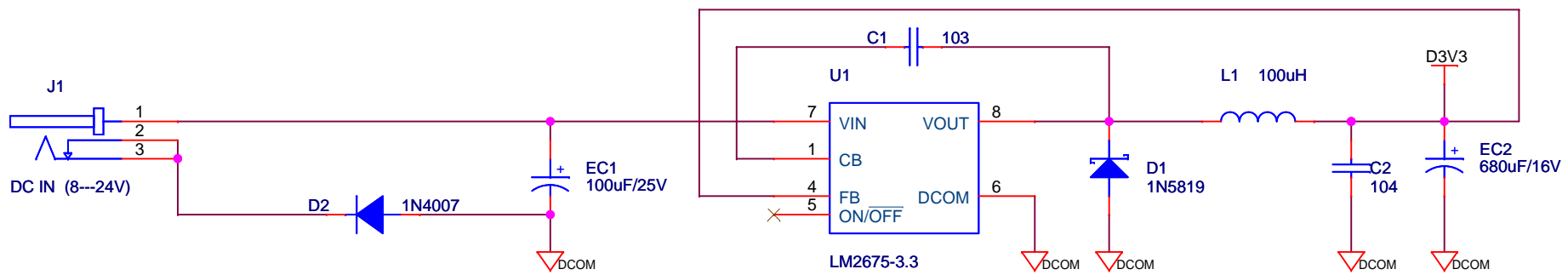
REV	DATE	PAGES	DESCRIPTION
0.0.0	9/30/2009	ALL	Created

PAGES	DESCRIPTION
0	Title, Note, Block Diagram, Revision History
1	-----
2	-----
3	-----
4	-----
5	-----
6	-----
7	-----
8	-----
9	-----
A	-----
B	-----
C	-----
D	-----
E	-----
F	-----

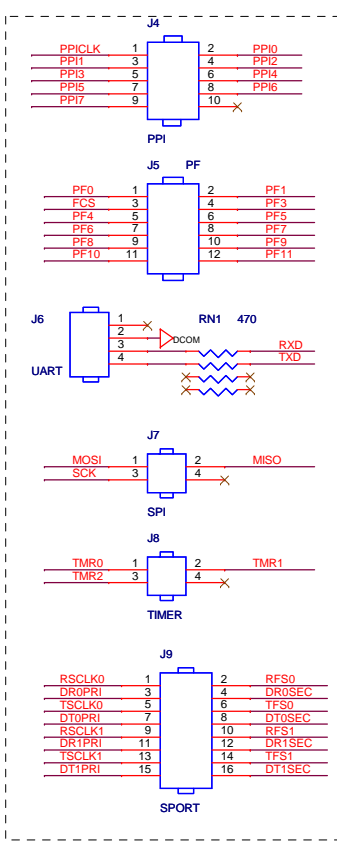
Engineer: 小马哥

Engineer: -----

Title MS531		
Size B	Document Number 0_Title	Rev 0
Date:	Saturday, March 20, 2010	Sheet 1 of 5

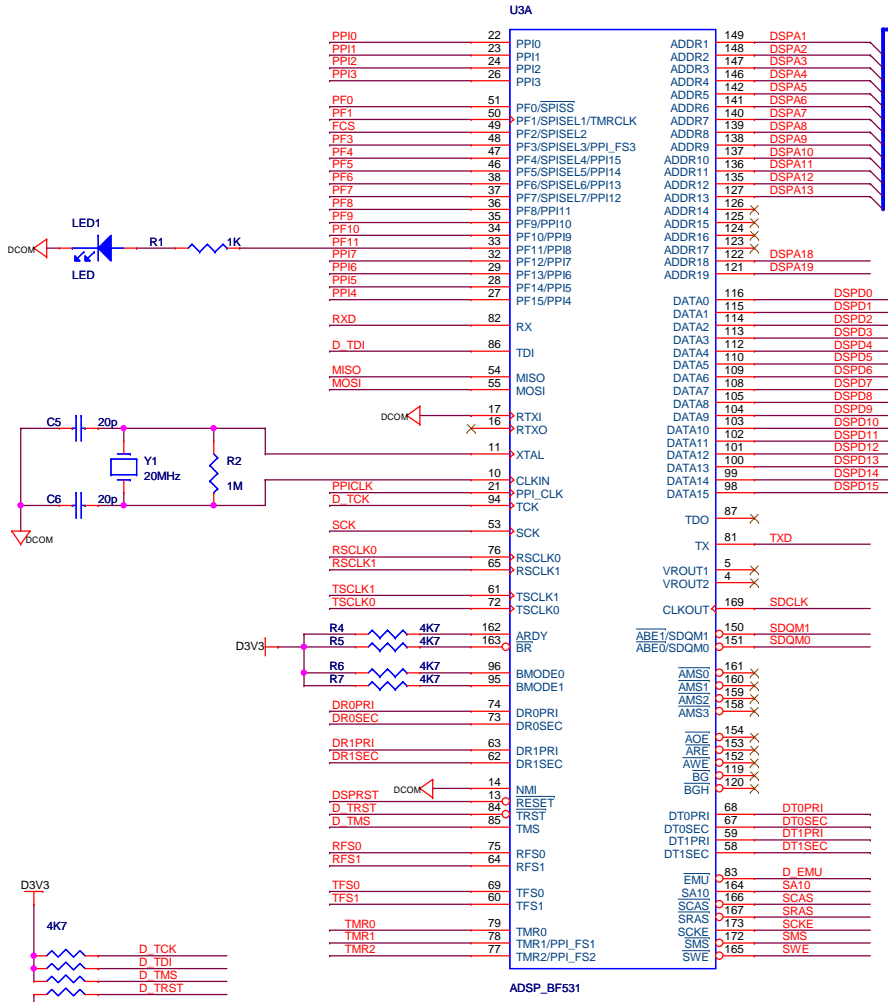
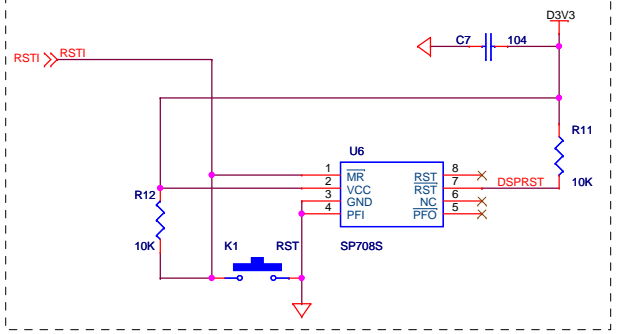


Title		
MS531		
Size	Document Number	Rev
A	1_Power	0
Date:	Saturday, March 20, 2010	Sheet 2 of 5

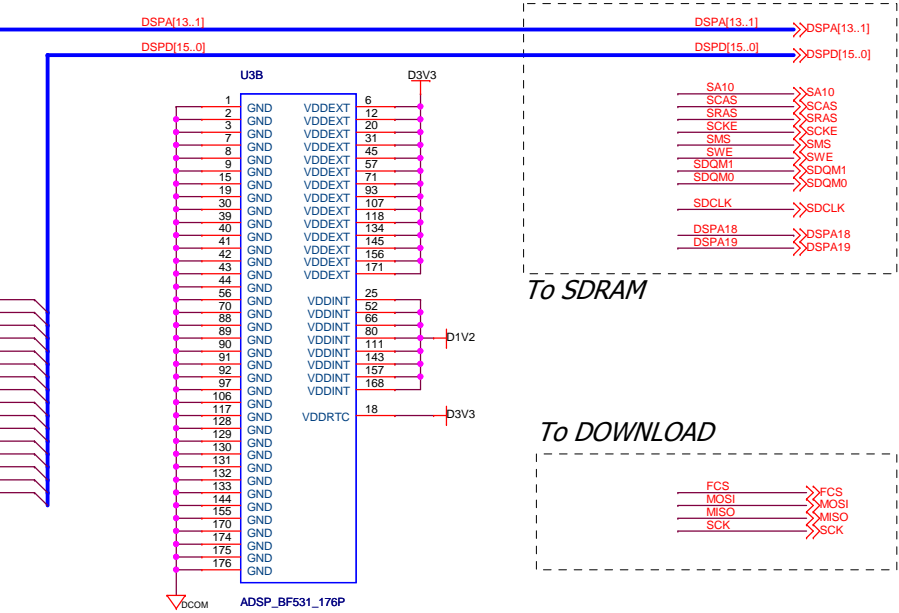
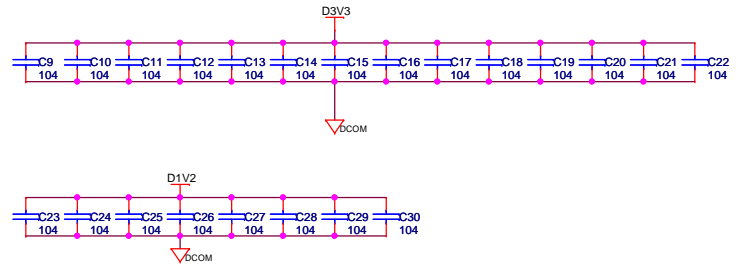


PERIPHERAL

RESET



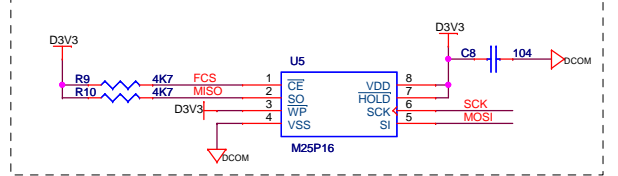
ADSP_BF531



To SDRAM

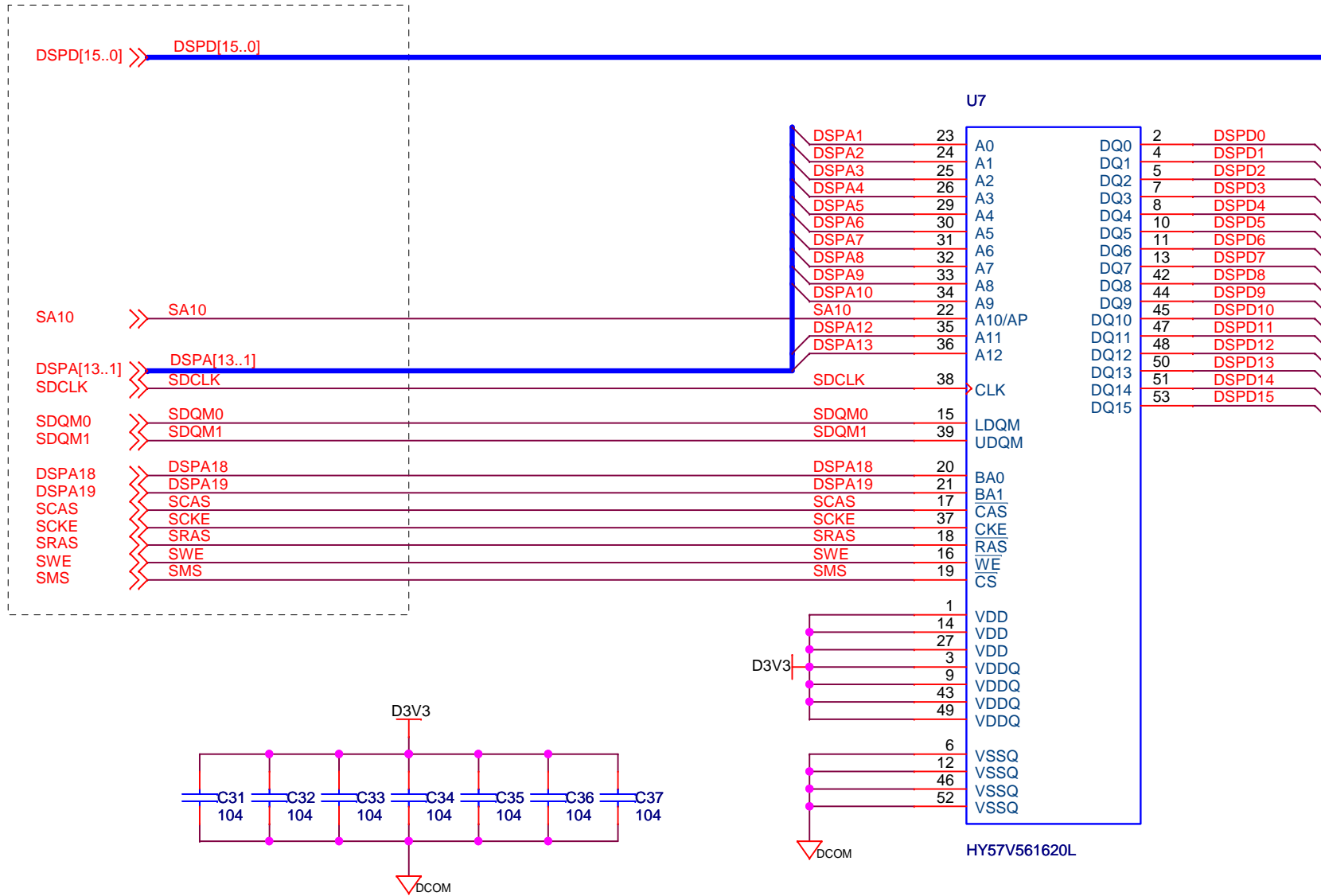
To DOWNLOAD

Flash

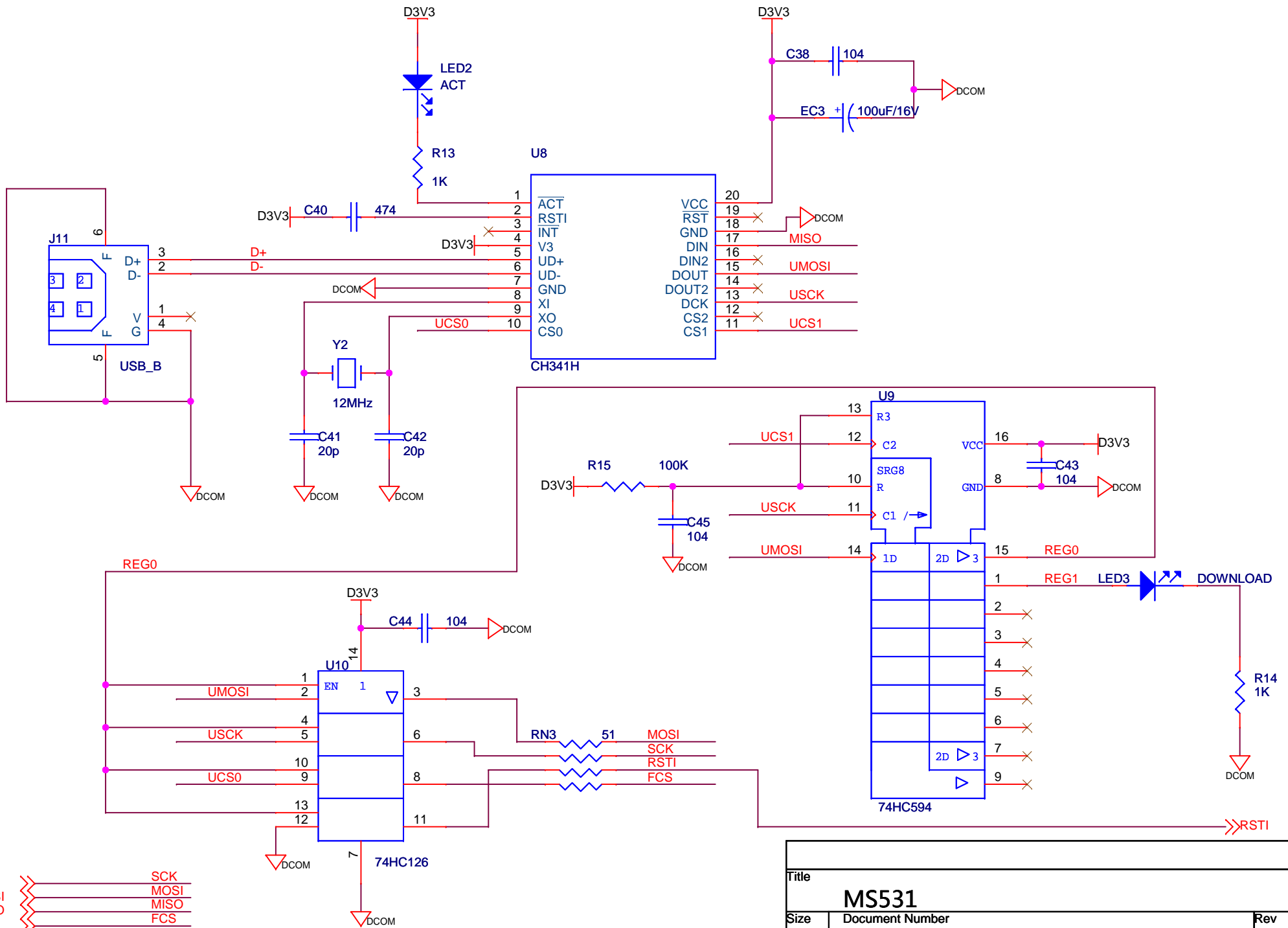


Title		M5531	
Size	Custom	Document Number	2_DSP
Date:	Sunday, March 28, 2010	Sheet	3 of 5
		Rev	0

From DSP



Title		
MS531		
Size	Document Number	Rev
A	3_SDRAM	0
Date:	Tuesday, March 30, 2010	Sheet 4 of 5



Title		
MS531		
Size	Document Number	Rev
A	4_Download	0
Date:	Tuesday, March 30, 2010	Sheet 5 of 5