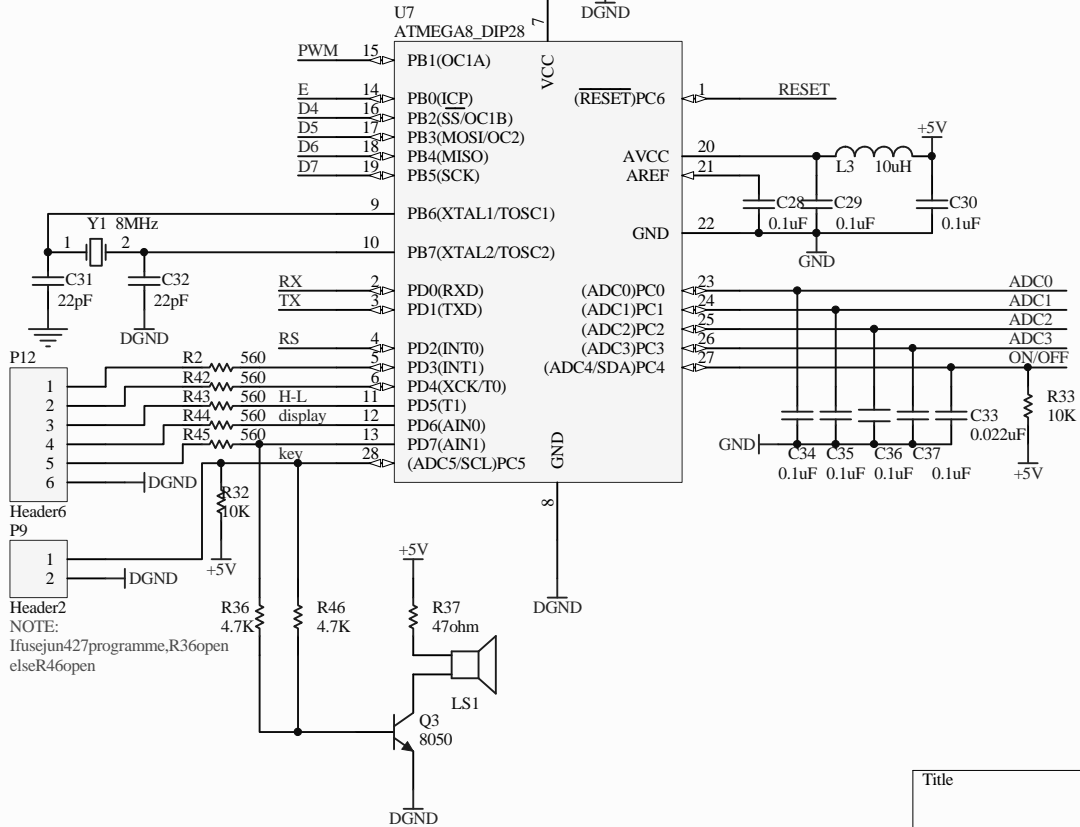
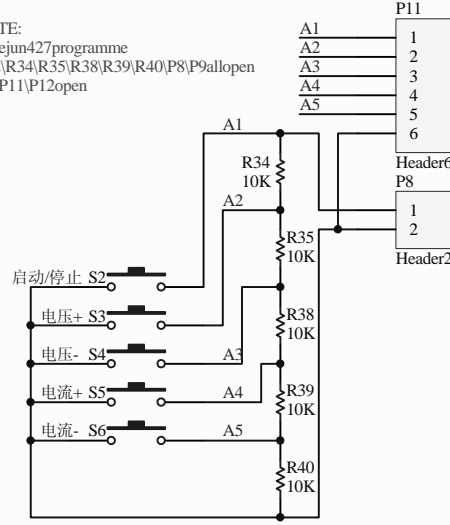
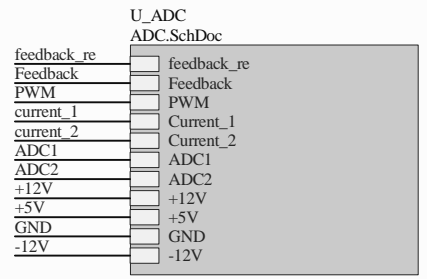
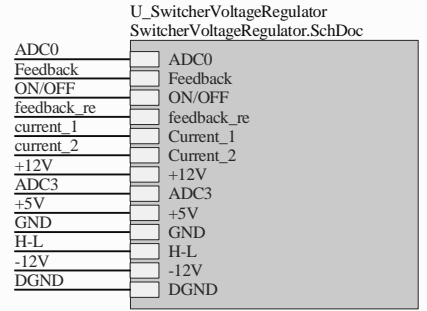


NOTE:
Ifusejun427programme
R32\R34\R35\R38\R39\R40\P8\P9allopen
elseP11\P12open



NOTE:
Ifusejun427programme,R36open
elseR46open



Title		
Size	Number	Revision
A4		
Date:	2009-12-1	Sheetof
File:	F:\action\...\MCU.SchDoc	DrawnBy: