

6

5

4

3

2

1

D

C

B

A

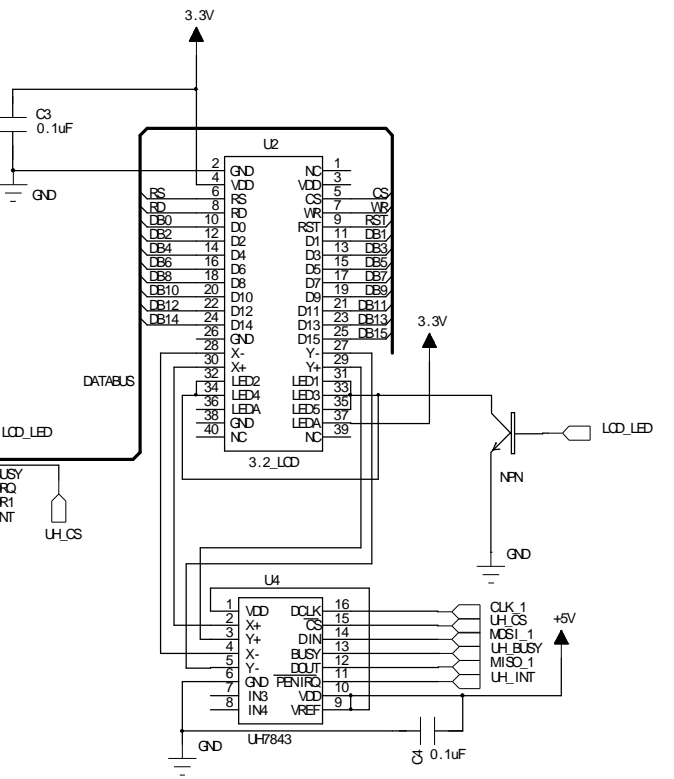
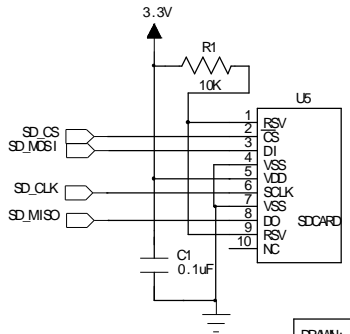
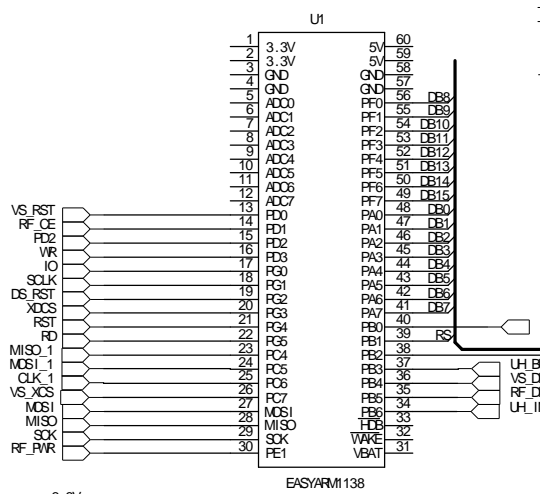
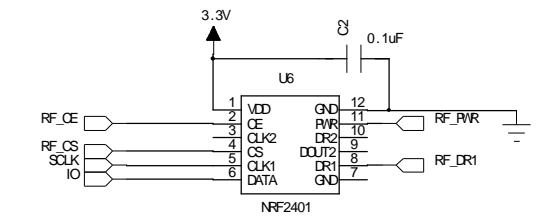
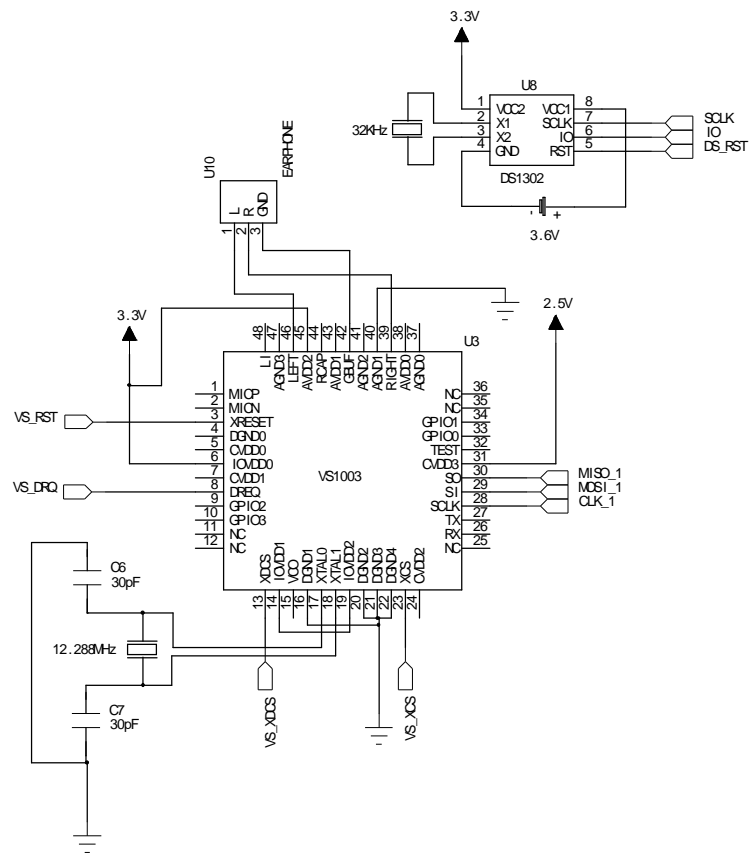
D

C

B

A

| REVISION RECORD |         |           |       |
|-----------------|---------|-----------|-------|
| LTR             | ECO NO: | APPROVED: | DATE: |
|                 |         |           |       |
|                 |         |           |       |
|                 |         |           |       |



|                          |         |                              |                 |
|--------------------------|---------|------------------------------|-----------------|
| COMPANY: <Company Name>  |         |                              |                 |
| TITLE: <Title>           |         |                              |                 |
| CODE: <Code>             | SIZE: B | DRAWING NO: <Drawing Number> | REV: <Revision> |
| DRAWN: <Drawn By>        |         | DATED: <Drawn Date>          |                 |
| CHECKED: <Checked By>    |         | DATED: <Checked Date>        |                 |
| QUALITY CONTROL: <QC By> |         | DATED: <QC Date>             |                 |
| RELEASED: <Released By>  |         | DATED: <Release Date>        |                 |
| SCALE: <Scale>           |         |                              | SHEET: 1 of 1   |

|                  |               |        |                |
|------------------|---------------|--------|----------------|
| DRAWN:           | <Drawn By>    | DATED: | <Drawn Date>   |
| CHECKED:         | <Checked By>  | DATED: | <Checked Date> |
| QUALITY CONTROL: | <QC By>       | DATED: | <QC Date>      |
| RELEASED:        | <Released By> | DATED: | <Release Date> |